

## Appendix B

Table of Standard Fixture Wattages and

Sample Lighting Table

# Appendix B: Table of Standard Fixture Wattages

The *2013-14 Table of Standard Fixture Wattages* was generated under the following guidelines:

1. All fixtures must comply with Title 10 of the Code of Federal Regulations (same as CWT) as well as California's Title 24 Regulations; and
2. All fixtures using 4-foot or U-tube "standard" 40 W fluorescent lamps (F40T12 or FU40T12) are excluded, with the exception of equivalent "standard" high-output and instant-start fixtures. All fixtures with 8-foot "standard" 75 W lamps (F96T12) are excluded *as well as* all fixtures with 8-foot "high output" 110 W lamps (F96T12HO).
3. Effective September 14, 2009 new US Department of Energy standards for certain general service fluorescent lamps were established, and compliance was required by July 14, 2012 (DOE 10 CFR Part 430). Multiple T12 and T8 lamp types are impacted by the new performance standards. In conjunction with the standard compliance date, T12 lamps are being phased-out as an eligible baseline lighting technology for the purpose of calculating energy savings for lighting retrofit projects. Projects using T12 fixtures as the baseline technology in SCE service territory must be completed and the Customized Installation Forms received by SCE by June 30th, 2012; and in PG&E service territory the phase out date for T12 fixtures as baseline technology is December 31, 2012. After these sunset dates have passed, facilities with T12 fixtures will be required to use the wattage of a standard T8 fixture (with the same lamp/ballast configuration), as the baseline wattage. Please reference Appendix B for the Table of Standard Fixture Wattages. Please note that SDG&E processes T12 retrofits through their Deemed Rebate Program which will also phase out T12 retrofits by December 31, 2012.

The motivation for the exclusion of these "standard" lamp fixtures is that most "cool-white" and "warm-white" general purpose lamps of the above types do not meet federal code (Title 10).

New codes that do not conform to these guidelines will not be added to the 2013-14 table. Lighting fixtures are uniquely identified based on the first five columns of the table (Fixture Code, Lamp Code, Ballast Type, Nominal Watts/Lamp, and Lamps/Fixture).

Screw-in lamps CFLs are not eligible for Statewide Customized Offering incentives.

FIXTURE CODE	LAMP CODE	BALLAST TYPE	NOM. W/LAMP	LAMP/ FIXT	DESCRIPTION	kW/ FIXT
<b>Compact Fluorescent Fixtures</b>						
CF10/2D	CFD10W	Mag-STD	10	1	Compact Fluorescent, 2D, (1) 10W lamp	0.016
CF16/2D	CFD16W	Mag-STD	16	1	Compact Fluorescent, 2D, (1) 16W lamp	0.026
CF21/2D	CFD21W	Mag-STD	21	1	Compact Fluorescent, 2D, (1) 21W lamp	0.026
CF28/2D	CFD28W	Mag-STD	28	1	Compact Fluorescent, 2D, (1) 28W lamp	0.035
CF38/2D	CFD38W	Mag-STD	38	1	Compact Fluorescent, 2D, (1) 38W lamp	0.046
CFQ10/1	CFQ10W	Mag-STD	10	1	Compact Fluorescent, quad, (1) 10W lamp	0.015
CFQ13/1	CFQ13W	Mag-STD	13	1	Compact Fluorescent, quad, (1) 13W lamp	0.017
CFQ13/1-L	CFQ13W	Electronic	13	1	Compact Fluorescent, quad, (1) 13W lamp, BF=1.05	0.015
CFQ13/2	CFQ13W	Mag-STD	13	2	Compact Fluorescent, quad, (2) 13W lamp	0.031
CFQ13/2-L	CFQ13W	Electronic	13	2	Compact Fluorescent, quad, (2) 13W lamp, BF=1.0	0.028
CFQ13/3	CFQ13W	Mag-STD	13	3	Compact Fluorescent, quad, (3) 13W lamp	0.048
CFQ15/1	CFQ15W	Mag-STD	15	1	Compact Fluorescent, quad, (1) 15W lamp	0.020
CFQ17/1	CFQ17W	Mag-STD	17	1	Compact Fluorescent, quad, (1) 17W lamp	0.024
CFQ17/2	CFQ17W	Mag-STD	17	2	Compact Fluorescent, quad, (2) 17W lamp	0.048
CFQ18/1	CFQ18W	Mag-STD	18	1	Compact Fluorescent, quad, (1) 18W lamp	0.026
CFQ18/1-L	CFQ18W	Electronic	18	1	Compact Fluorescent, quad, (1) 18W lamp, BF=1.0	0.020
CFQ18/2	CFQ18W	Mag-STD	18	2	Compact Fluorescent, quad, (2) 18W lamp	0.045
CFQ18/2-L	CFQ18W	Electronic	18	2	Compact Fluorescent, quad, (2) 18W lamp, BF=1.0	0.038
CFQ18/4	CFQ18W	Mag-STD	18	2	Compact Fluorescent, quad, (4) 18W lamp	0.090
CFQ20/1	CFQ20W	Mag-STD	20	1	Compact Fluorescent, quad, (1) 20W lamp	0.023
CFQ20/2	CFQ20W	Mag-STD	20	2	Compact Fluorescent, quad, (2) 20W lamp	0.046
CFQ22/1	CFQ22W	Mag-STD	22	1	Compact Fluorescent, Quad, (1) 22W lamp	0.024
CFQ22/2	CFQ22W	Mag-STD	22	2	Compact Fluorescent, Quad, (2) 22W lamp	0.048
CFQ22/3	CFQ22W	Mag-STD	22	3	Compact Fluorescent, Quad, (3) 22W lamp	0.072
CFQ25/1	CFQ25W	Mag-STD	25	1	Compact Fluorescent, Quad, (1) 25W lamp	0.033
CFQ25/2	CFQ25W	Mag-STD	25	2	Compact Fluorescent, Quad, (2) 25W lamp	0.066
CFQ26/1	CFQ26W	Mag-STD	26	1	Compact Fluorescent, quad, (1) 26W lamp	0.033
CFQ26/1-L	CFQ26W	Electronic	26	1	Compact Fluorescent, quad, (1) 26W lamp, BF=0.95	0.027
CFQ26/2	CFQ26W	Mag-STD	26	2	Compact Fluorescent, quad, (2) 26W lamp	0.066
CFQ26/2-L	CFQ26W	Electronic	26	2	Compact Fluorescent, quad, (2) 26W lamp, BF=0.95	0.050
CFQ26/3	CFQ26W	Mag-STD	26	3	Compact Fluorescent, quad, (3) 26W lamp	0.099
CFQ26/6-L	CFQ26W	Electronic	26	6	Compact Fluorescent, quad, (6) 26W lamp, BF=0.95	0.150
CFQ28/1	CFQ28W	Mag-STD	28	1	Compact Fluorescent, quad, (1) 28W lamp	0.033

FIXTURE CODE	LAMP CODE	BALLAST TYPE	NOM. W/LAMP	LAMP/ FIXT	DESCRIPTION	kW/ FIXT
CFQ9/1	CFQ9W	Mag-STD	9	1	Compact Fluorescent, Quad, (1) 9W lamp	0.014
CFQ9/2	CFQ9W	Mag-STD	9	2	Compact Fluorescent, Quad, (2) 9W lamp	0.023
CFT13/1	CFT13W	Mag-STD	13	1	Compact Fluorescent, twin, (1) 13W lamp	0.017
CFT13/2	CFT13W	Mag-STD	13	2	Compact Fluorescent, twin, (2) 13W lamp	0.031
CFT13/3	CFT13W	Mag-STD	13	3	Compact Fluorescent, twin, (3) 13 W lamp	0.048
CFT18/1	CFT18W	Mag-STD	18	1	Compact Fluorescent, Long twin., (1) 18W lamp	0.024
CFT22/1	CFT22W	Mag-STD	22	1	Compact Fluorescent, twin, (1) 22W lamp	0.027
CFT22/2	CFT22W	Mag-STD	22	2	Compact Fluorescent, twin, (2) 22W lamp	0.054
CFT22/4	CFT22W	Mag-STD	22	4	Compact Fluorescent, twin, (4) 22W lamp	0.108
CFT24/1	CFT24W	Mag-STD	24	1	Compact Fluorescent, long twin, (1) 24W lamp	0.032
CFT28/1	CFT28W	Mag-STD	28	1	Compact Fluorescent, twin, (1) 28W lamp	0.033
CFT28/2	CFT28W	Mag-STD	28	2	Compact Fluorescent, twin, (2) 28W lamp	0.066
CFT32/1-L	CFM32W	Electronic	32	1	Compact Fluorescent, twin or multi, (1) 32W lamp	0.034
CFT32/2-L	CFM32W	Electronic	32	2	Compact Fluorescent, twin or multi, (2) 32W lamp	0.062
CFT32/6-L	CFM32W	Electronic	32	6	Compact Fluorescent, twin or multi, (2) 32W lamp	0.186
CFT36/1	CFT36W	Mag-STD	36	1	Compact Fluorescent, long twin, (1) 36W lamp	0.051
CFT40/1	CFT40W	Mag-STD	40	1	Compact Fluorescent, twin, (1) 40W lamp	0.046
CFT40/1-L	CFT40W	Electronic	40	1	Compact Fluorescent, long twin, (1) 40W lamp	0.043
CFT40/2	CFT40W	Mag-STD	40	2	Compact Fluorescent, twin, (2) 40W lamp	0.085
CFT40/2-L	CFT40W	Electronic	40	2	Compact Fluorescent, long twin, (2) 40W lamp	0.072
CFT40/3	CFT40W	Mag-STD	40	3	Compact Fluorescent, twin, (3) 40 W lamp	0.133
CFT40/3-L	CFT40W	Electronic	40	3	Compact Fluorescent, long twin, (3) 40W lamp	0.105
CFT5/1	CFT5W	Mag-STD	5	1	Compact Fluorescent, twin, (1) 5W lamp	0.009
CFT5/2	CFT5W	Mag-STD	5	2	Compact Fluorescent, twin, (2) 5W lamp	0.018
CFT7/1	CFT7W	Mag-STD	7	1	Compact Fluorescent, twin, (1) 7W lamp	0.010
CFT7/2	CFT7W	Mag-STD	7	2	Compact Fluorescent, twin, (2) 7W lamp	0.021
CFT9/1	CFT9W	Mag-STD	9	1	Compact Fluorescent, twin, (1) 9W lamp	0.011
CFT9/2	CFT9W	Mag-STD	9	2	Compact Fluorescent, twin, (2) 9W lamp	0.023
CFT9/3	CFT9W	Mag-STD	9	3	Compact Fluorescent, twin, (3) 9 W lamp	0.034

**F32T8 Linear Fluorescent Fixtures**

F41ILL	F32T8-STD	Electronic	32	1	70 CRI, 20,000 Hr. RSR, Fluorescent, (1) 48", T-8 lamp, Instant Start Ballast, NLO	0.031
F41ILL	F32T8-PREM	Electronic	32	1	85 CRI, 24,000 Hr. RSR, Fluorescent, (1) 48", T-8 lamp, Instant Start Ballast, NLO	0.031

FIXTURE CODE	LAMP CODE	BALLAST TYPE	NOM. W/LAMP	LAMP/ FIXT	DESCRIPTION	kW/ FIXT
F41ILL	F32T8-PREM	Elec-Prem	32	1	85 CRI, 24,000 Hr. RSR, Fluorescent, (1)48" T-8 lamp, Premium IS Ballast, NLO	0.028
F41ILL/T2	F32T8-STD	Electronic	32	1	70 CRI, 20,000 Hr. RSR, Fluorescent, (1) 48", T-8 lamp, Instant Start Ballast, NLO, Tandem 2 Lamp Ballast	0.030
F41ILL/T2	F32T8-PREM	Electronic	32	1	85 CRI, 24,000 Hr. RSR, Fluorescent, (1) 48", T-8 lamp, Instant Start Ballast, NLO, Tandem 2 Lamp Ballast	0.030
F41ILL/T2-H	F32T8-STD	Electronic	32	1	70 CRI, 20,000 Hr. RSR, Fluorescent, (1) 48", T-8 lamp, Instant Start Ballast, HLO, Tandem 4 Lamp Ballast	0.033
F41ILL/T2-H	F32T8-PREM	Electronic	32	1	85 CRI, 24,000 Hr. RSR, Fluorescent, (1) 48", T-8 lamp, Instant Start Ballast, HLO, Tandem 4 Lamp Ballast	0.033
F41ILL/T2-R	F32T8-STD	Electronic	32	1	70 CRI, 20,000 Hr. RSR, Fluorescent, (1) 48", T-8 lamp, IS Ballast, RLO, Tandem 2 Lamp Ballast	0.026
F41ILL/T2-R	F32T8-PREM	Electronic	32	1	85 CRI, 24,000 Hr. RSR, Fluorescent, (1) 48", T-8 lamp, IS Ballast, RLO, Tandem 2 Lamp Ballast	0.026
F41ILL/T2-V	F32T8-STD	Electronic	32	1	70 CRI, 20,000 Hr. RSR, Fluorescent, (1) 48", T8 lamp, Instant Start Ballast, VHLO, Tandem 2 Lamp Ballast	0.040
F41ILL/T2-V	F32T8-PREM	Electronic	32	1	85 CRI, 24,000 Hr. RSR, Fluorescent, (1) 48", T8 lamp, Instant Start Ballast, VHLO, Tandem 2 Lamp Ballast	0.040
F41ILL/T3	F32T8-STD	Electronic	32	1	70 CRI, 20,000 Hr. RSR, Fluorescent, (1) 48", T-8 lamp, Instant Start Ballast, NLO, Tandem 3 Lamp Ballast	0.030
F41ILL/T3	F32T8-PREM	Electronic	32	1	85 CRI, 24,000 Hr. RSR, Fluorescent, (1) 48", T-8 lamp, Instant Start Ballast, NLO, Tandem 3 Lamp Ballast	0.030
F41ILL/T3-H	F32T8-STD	Electronic	32	1	70 CRI, 20,000 Hr. RSR, Fluorescent, (1) 48", T-8 lamp, Instant Start Ballast, HLO, Tandem 4 Lamp Ballast	0.031
F41ILL/T3-H	F32T8-PREM	Electronic	32	1	85 CRI, 24,000 Hr. RSR, Fluorescent, (1) 48", T-8 lamp, Instant Start Ballast, HLO, Tandem 4 Lamp Ballast	0.031
F41ILL/T3-R	F32T8-STD	Electronic	32	1	70 CRI, 20,000 Hr. RSR, Fluorescent, (1) 48", T-8 lamp, IS Ballast, RLO, Tandem 3 Lamp Ballast	0.026
F41ILL/T3-R	F32T8-PREM	Electronic	32	1	85 CRI, 24,000 Hr. RSR, Fluorescent, (1) 48", T-8 lamp, IS Ballast, RLO, Tandem 3 Lamp Ballast	0.026
F41ILL/T3-V	F32T8-STD	Electronic	32	1	70 CRI, 20,000 Hr. RSR, Fluorescent, (1) 48", T8 lamp, Instant Start Ballast, VHLO, Tandem 3 Lamp Ballast	0.038
F41ILL/T3-V	F32T8-PREM	Electronic	32	1	85 CRI, 24,000 Hr. RSR, Fluorescent, (1) 48", T8 lamp, Instant Start Ballast, VHLO, Tandem 3 Lamp Ballast	0.038
F41ILL/T4	F32T8-STD	Electronic	32	1	70 CRI, 20,000 Hr. RSR, Fluorescent, (1) 48", T-8 lamp, Instant Start Ballast, NLO, Tandem 4 Lamp Ballast	0.028

FIXTURE CODE	LAMP CODE	BALLAST TYPE	NOM. W/LAMP	LAMP/ FIXT	DESCRIPTION	kW/ FIXT
F41ILL/T4	F32T8-PREM	Electronic	32	1	85 CRI, 24,000 Hr. RSR, Fluorescent, (1) 48", T-8 lamp, Instant Start Ballast, NLO, Tandem 4 Lamp Ballast	0.028
F41ILL/T4-R	F32T8-STD	Electronic	32	1	70 CRI, 20,000 Hr. RSR, Fluorescent, (1) 48", T-8 lamp, IS Ballast, RLO, Tandem 4 Lamp Ballast	0.026
F41ILL/T4-R	F32T8-PREM	Electronic	32	1	85 CRI, 24,000 Hr. RSR, Fluorescent, (1) 48", T-8 lamp, IS Ballast, RLO, Tandem 4 Lamp Ballast	0.026
F41ILL/T4-V	F32T8-STD	Electronic	32	1	70 CRI, 20,000 Hr. RSR, Fluorescent, (1) 48", T8 lamp, Instant Start Ballast, VHLO, Tandem 4 Lamp Ballast	0.038
F41ILL/T4-V	F32T8-PREM	Electronic	32	1	85 CRI, 24,000 Hr. RSR, Fluorescent, (1) 48", T8 lamp, Instant Start Ballast, VHLO, Tandem 4 Lamp Ballast	0.038
F41ILL-H	F32T8-STD	Electronic	32	1	70 CRI, 20,000 Hr. RSR, Fluorescent, (1) 48", T-8 lamp, Instant Start Ballast, HLO	0.036
F41ILL-H	F32T8-PREM	Electronic	32	1	85 CRI, 24,000 Hr. RSR, Fluorescent, (1) 48", T-8 lamp, Instant Start Ballast, HLO	0.036
F41ILL-R	F32T8-PREM	Elec-Prem-R	32	1	85 CRI, 24,000 Hr. RSR, Fluorescent, (1)48" T-8 lamp, Premium IS Ballast, RLO	0.025
F41ILL-V	F32T8-STD	Electronic	32	1	70 CRI, 20,000 Hr. RSR, Fluorescent, (1) 48", T8 lamp, Instant Start Ballast, VHLO	0.041
F41ILL-V	F32T8-PREM	Electronic	32	1	85 CRI, 24,000 Hr. RSR, Fluorescent, (1) 48", T8 lamp, Instant Start Ballast, VHLO	0.041
F41LE	F32T8-STD	Mag-ES	32	1	70 CRI, 20,000 Hr. RSR, Fluorescent, (1) 48", T-8 lamp	0.035
F41LL	F32T8-STD	Electronic	32	1	70 CRI, 20,000 Hr. RSR, Fluorescent, (1) 48", T-8 lamp, Rapid Start Ballast, NLO	0.032
F41LL	F32T8-PREM	Electronic	32	1	85 CRI, 24,000 Hr. RSR, Fluorescent, (1) 48", T-8 lamp, Rapid Start Ballast, NLO	0.032
F41LL/T2	F32T8-STD	Electronic	32	1	70 CRI, 20,000 Hr. RSR, Fluorescent, (1) 48", T-8 lamp, Rapid Start Ballast, NLO, Tandem 2 Lamp Ballast	0.030
F41LL/T2	F32T8-PREM	Electronic	32	1	85 CRI, 24,000 Hr. RSR, Fluorescent, (1) 48", T-8 lamp, Rapid Start Ballast, NLO, Tandem 2 Lamp Ballast	0.030
F41LL/T2-H	F32T8-STD	Electronic	32	1	70 CRI, 20,000 Hr. RSR, Fluorescent, (1) 48", T-8 lamp, Rapid Start Ballast, HLO, Tandem 2 Lamp Ballast	0.035
F41LL/T2-H	F32T8-PREM	Electronic	32	1	85 CRI, 24,000 Hr. RSR, Fluorescent, (1) 48", T-8 lamp, Rapid Start Ballast, HLO, Tandem 2 Lamp Ballast	0.035
F41LL/T2-R	F32T8-STD	Electronic	32	1	70 CRI, 20,000 Hr. RSR, Fluorescent, (1) 48", T-8 lamp, Rapid Start Ballast, RLO, Tandem 2 Lamp Ballast	0.027
F41LL/T2-R	F32T8-PREM	Electronic	32	1	85 CRI, 24,000 Hr. RSR, Fluorescent, (1) 48", T-8 lamp, Rapid Start Ballast, RLO, Tandem 2 Lamp Ballast	0.027

FIXTURE CODE	LAMP CODE	BALLAST TYPE	NOM. W/LAMP	LAMP/ FIXT	DESCRIPTION	kW/ FIXT
F41LL/T3	F32T8-STD	Electronic	32	1	70 CRI, 20,000 Hr. RSR, Fluorescent, (1) 48", T-8 lamp, Rapid Start Ballast, NLO, Tandem 3 Lamp Ballast	0.031
F41LL/T3	F32T8-PREM	Electronic	32	1	85 CRI, 24,000 Hr. RSR, Fluorescent, (1) 48", T-8 lamp, Rapid Start Ballast, NLO, Tandem 3 Lamp Ballast	0.031
F41LL/T3-H	F32T8-STD	Electronic	32	1	70 CRI, 20,000 Hr. RSR, Fluorescent, (1) 48", T-8 lamp, Rapid Start Ballast, HLO, Tandem 3 Lamp Ballast	0.033
F41LL/T3-H	F32T8-PREM	Electronic	32	1	85 CRI, 24,000 Hr. RSR, Fluorescent, (1) 48", T-8 lamp, Rapid Start Ballast, HLO, Tandem 3 Lamp Ballast	0.033
F41LL/T3-R	F32T8-STD	Electronic	32	1	70 CRI, 20,000 Hr. RSR, Fluorescent, (1) 48", T-8 lamp, Rapid Start Ballast, RLO, Tandem 3 Lamp Ballast	0.025
F41LL/T3-R	F32T8-PREM	Electronic	32	1	85 CRI, 24,000 Hr. RSR, Fluorescent, (1) 48", T-8 lamp, Rapid Start Ballast, RLO, Tandem 3 Lamp Ballast	0.025
F41LL/T4	F32T8-STD	Electronic	32	1	70 CRI, 20,000 Hr. RSR, Fluorescent, (1) 48", T-8 lamp, Rapid Start Ballast, NLO, Tandem 4 Lamp Ballast	0.030
F41LL/T4	F32T8-PREM	Electronic	32	1	85 CRI, 24,000 Hr. RSR, Fluorescent, (1) 48", T-8 lamp, Rapid Start Ballast, NLO, Tandem 4 Lamp Ballast	0.030
F41LL/T4-R	F32T8-STD	Electronic	32	1	70 CRI, 20,000 Hr. RSR, Fluorescent, (1) 48", T-8 lamp, Rapid Start Ballast, RLO, Tandem 4 Lamp Ballast	0.026
F41LL/T4-R	F32T8-PREM	Electronic	32	1	85 CRI, 24,000 Hr. RSR, Fluorescent, (1) 48", T-8 lamp, Rapid Start Ballast, RLO, Tandem 4 Lamp Ballast	0.026
F41LL-H	F32T8-STD	Electronic	32	1	70 CRI, 20,000 Hr. RSR, Fluorescent, (1) 48", T-8 lamp, Rapid Start Ballast, HLO	0.039
F41LL-H	F32T8-PREM	Electronic	32	1	85 CRI, 24,000 Hr. RSR, Fluorescent, (1) 48", T-8 lamp, Rapid Start Ballast, HLO	0.039
F41LL-R	F32T8-STD	Electronic	32	1	70 CRI, 20,000 Hr. RSR, Fluorescent, (1) 48", T-8 lamp, Rapid Start Ballast, RLO	0.027
F41LL-R	F32T8-PREM	Electronic	32	1	85 CRI, 24,000 Hr. RSR, Fluorescent, (1) 48", T-8 lamp, Rapid Start Ballast, RLO	0.027
F41WLL	F32T8-PREM-ES	Elec-Prem	30	1	82 CRI, 15,000 Hr. ISR, Fluorescent, (1)48" ES T-8 lamp, Premium IS Ballast, NLO	0.027
F41WLL-R	F32T8-PREM-ES	Elec-Prem-R	30	1	82 CRI, 15,000 Hr. ISR, Fluorescent, (1)48" ES T-8 lamp, Premium IS Ballast, RLO	0.024
F42ILL	F32T8-STD	Electronic	32	2	70 CRI, 20,000 Hr. RSR, Fluorescent, (2) 48", T-8 lamp, Instant Start Ballast, NLO	0.059
F42ILL	F32T8-PREM	Electronic	32	2	85 CRI, 24,000 Hr. RSR, Fluorescent, (2) 48", T-8 lamp, Instant Start Ballast, NLO	0.059
F42ILL	F32T8-PREM	Elec-Prem	32	2	85 CRI, 24,000 Hr. RSR, Fluorescent, (2)48" T-8 lamp, Premium IS Ballast, NLO	0.054

FIXTURE CODE	LAMP CODE	BALLAST TYPE	NOM. W/LAMP	LAMP/ FIXT	DESCRIPTION	kW/ FIXT
F42ILL/T4	F32T8-STD	Electronic	32	2	70 CRI, 20,000 Hr. RSR, Fluorescent, (2) 48", T-8 lamp, Instant Start Ballast, NLO, Tandem 4 Lamp Ballast	0.056
F42ILL/T4	F32T8-PREM	Electronic	32	2	85 CRI, 24,000 Hr. RSR, Fluorescent, (2) 48", T-8 lamp, Instant Start Ballast, NLO, Tandem 4 Lamp Ballast	0.056
F42ILL/T4-R	F32T8-STD	Electronic	32	2	70 CRI, 20,000 Hr. RSR, Fluorescent, (2) 48", T-8 lamp, Instant Start Ballast, RLO, Tandem 4 Lamp Ballast	0.051
F42ILL/T4-R	F32T8-PREM	Electronic	32	2	85 CRI, 24,000 Hr. RSR, Fluorescent, (2) 48", T-8 lamp, Instant Start Ballast, RLO, Tandem 4 Lamp Ballast	0.051
F42ILL-H	F32T8-STD	Electronic	32	2	70 CRI, 20,000 Hr. RSR, Fluorescent, (2) 48", T-8 lamp, Instant Start Ballast, HLO	0.065
F42ILL-H	F32T8-PREM	Electronic	32	2	85 CRI, 24,000 Hr. RSR, Fluorescent, (2) 48", T-8 lamp, Instant Start Ballast, HLO	0.065
F42ILL-R	F32T8-STD	Electronic	32	2	70 CRI, 20,000 Hr. RSR, Fluorescent, (2) 48", T-8 lamp, Instant Start Ballast, RLO	0.052
F42ILL-R	F32T8-PREM	Electronic	32	2	85 CRI, 24,000 Hr. RSR, Fluorescent, (2) 48", T-8 lamp, Instant Start Ballast, RLO	0.052
F42ILL-R	F32T8-PREM	Elec-Prem-R	32	2	85 CRI, 24,000 Hr. RSR, Fluorescent, (2)48" T-8 lamp, Premium IS Ballast, RLO	0.048
F42ILL-V	F32T8-STD	Electronic	32	2	70 CRI, 20,000 Hr. RSR, Fluorescent, (2) 48", T-8 lamp, Instant Start Ballast, VHLO	0.079
F42ILL-V	F32T8-PREM	Electronic	32	2	85 CRI, 24,000 Hr. RSR, Fluorescent, (2) 48", T-8 lamp, Instant Start Ballast, VHLO	0.079
F42LE	F32T8-STD	Mag-ES	32	2	70 CRI, 20,000 Hr. RSR, Fluorescent, (2) 48", T-8 lamp	0.071
F42LL	F32T8-STD	Electronic	32	2	70 CRI, 20,000 Hr. RSR, Fluorescent, (2) 48", T-8 lamp, Rapid Start Ballast, NLO	0.060
F42LL	F32T8-PREM	Electronic	32	2	85 CRI, 24,000 Hr. RSR, Fluorescent, (2) 48", T-8 lamp, Rapid Start Ballast, NLO	0.060
F42LL/T4	F32T8-STD	Electronic	32	2	70 CRI, 20,000 Hr. RSR, Fluorescent, (2) 48", T-8 lamp, Rapid Start Ballast, NLO, Tandem 4 Lamp Ballast	0.059
F42LL/T4	F32T8-PREM	Electronic	32	2	85 CRI, 24,000 Hr. RSR, Fluorescent, (2) 48", T-8 lamp, Rapid Start Ballast, NLO, Tandem 4 Lamp Ballast	0.059
F42LL/T4-R	F32T8-STD	Electronic	32	2	70 CRI, 20,000 Hr. RSR, Fluorescent, (2) 48", T-8 lamp, Rapid Start Ballast, RLO, Tandem 4 Lamp Ballast	0.053
F42LL/T4-R	F32T8-PREM	Electronic	32	2	85 CRI, 24,000 Hr. RSR, Fluorescent, (2) 48", T-8 lamp, Rapid Start Ballast, RLO, Tandem 4 Lamp Ballast	0.053
F42LL-H	F32T8-STD	Electronic	32	2	70 CRI, 20,000 Hr. RSR, Fluorescent, (2) 48", T-8 lamp, Rapid Start Ballast, HLO	0.070
F42LL-H	F32T8-PREM	Electronic	32	2	85 CRI, 24,000 Hr. RSR, Fluorescent, (2) 48", T-8 lamp, Rapid Start Ballast, HLO	0.070



FIXTURE CODE	LAMP CODE	BALLAST TYPE	NOM. W/LAMP	LAMP/ FIXT	DESCRIPTION	kW/ FIXT
F42LL-R	F32T8-STD	Electronic	32	2	70 CRI, 20,000 Hr. RSR, Fluorescent, (2) 48", T-8 lamp, Rapid Start Ballast, RLO	0.054
F42LL-R	F32T8-PREM	Electronic	32	2	85 CRI, 24,000 Hr. RSR, Fluorescent, (2) 48", T-8 lamp, Rapid Start Ballast, RLO	0.054
F42LL-V	F32T8-STD	Electronic	32	2	70 CRI, 20,000 Hr. RSR, Fluorescent, (2) 48", T-8 lamp, Rapid Start Ballast, VHLO	0.085
F42LL-V	F32T8-PREM	Electronic	32	2	85 CRI, 24,000 Hr. RSR, Fluorescent, (2) 48", T-8 lamp, Rapid Start Ballast, VHLO	0.085
F42WLL	F32T8-PREM-ES	Elec-Prem	30	2	82 CRI, 15,000 Hr. ISR, Fluorescent, (2)48" ES T-8 lamp, Premium IS Ballast, NLO	0.051
F42WLL-R	F32T8-PREM-ES	Elec-Prem-R	30	2	82 CRI, 15,000 Hr. ISR, Fluorescent, (2)48" ES T-8 lamp, Premium IS Ballast, RLO	0.045
F43ILL	F32T8-STD	Electronic	32	3	70 CRI, 20,000 Hr. RSR, Fluorescent, (3) 48", T-8 lamp, Instant Start Ballast, NLO	0.089
F43ILL	F32T8-PREM	Electronic	32	3	85 CRI, 24,000 Hr. RSR, Fluorescent, (3) 48", T-8 lamp, Instant Start Ballast, NLO	0.089
F43ILL	F32T8-PREM	Elec-Prem	32	3	85 CRI, 24,000 Hr. RSR, Fluorescent, (3)48" T-8 lamp, Premium IS Ballast, NLO	0.083
F43ILL/2	F32T8-STD	Electronic	32	3	70 CRI, 20,000 Hr. RSR, Fluorescent, (3) 48", T-8 lamp, Instant Start Ballast, NLO, (2) ballast	0.090
F43ILL/2	F32T8-PREM	Electronic	32	3	85 CRI, 24,000 Hr. RSR, Fluorescent, (3) 48", T-8 lamp, Instant Start Ballast, NLO, (2) ballast	0.090
F43ILL-H	F32T8-STD	Electronic	32	3	70 CRI, 20,000 Hr. RSR, Fluorescent, (3) 48", T-8 lamp, Instant Start Ballast, HLO	0.093
F43ILL-H	F32T8-PREM	Electronic	32	3	85 CRI, 24,000 Hr. RSR, Fluorescent, (3) 48", T-8 lamp, Instant Start Ballast, HLO	0.093
F43ILL-R	F32T8-STD	Electronic	32	3	70 CRI, 20,000 Hr. RSR, Fluorescent, (3) 48", T-8 lamp, Instant Start Ballast, RLO	0.078
F43ILL-R	F32T8-PREM	Electronic	32	3	85 CRI, 24,000 Hr. RSR, Fluorescent, (3) 48", T-8 lamp, Instant Start Ballast, RLO	0.078
F43ILL-R	F32T8-PREM	Elec-Prem-R	32	3	85 CRI, 24,000 Hr. RSR, Fluorescent, (3)48" T-8 lamp, Premium IS Ballast, RLO	0.073
F43ILL-V	F32T8-STD	Electronic	32	3	70 CRI, 20,000 Hr. RSR, Fluorescent, (3) 48", T-8 lamp, Instant Start Ballast, VHLO	0.112
F43ILL-V	F32T8-PREM	Electronic	32	3	85 CRI, 24,000 Hr. RSR, Fluorescent, (3) 48", T-8 lamp, Instant Start Ballast, VHLO	0.112
F43LE	F32T8-STD	Mag-ES	32	3	70 CRI, 20,000 Hr. RSR, Fluorescent, (3) 48", T-8 lamp	0.110
F43LL	F32T8-STD	Electronic	32	3	70 CRI, 20,000 Hr. RSR, Fluorescent, (3) 48", T-8 lamp, Rapid Start Ballast, NLO	0.093
F43LL	F32T8-PREM	Electronic	32	3	85 CRI, 24,000 Hr. RSR, Fluorescent, (3) 48", T-8 lamp, Rapid Start Ballast, NLO	0.093

FIXTURE CODE	LAMP CODE	BALLAST TYPE	NOM. W/LAMP	LAMP/ FIXT	DESCRIPTION	kW/ FIXT
F43LL/2	F32T8-STD	Electronic	32	3	70 CRI, 20,000 Hr. RSR, Fluorescent, (3) 48", T-8 lamp, Rapid Start Ballast, NLO, (2) ballast	0.092
F43LL/2	F32T8-PREM	Electronic	32	3	85 CRI, 24,000 Hr. RSR, Fluorescent, (3) 48", T-8 lamp, Rapid Start Ballast, NLO, (2) ballast	0.092
F43LL-H	F32T8-STD	Electronic	32	3	70 CRI, 20,000 Hr. RSR, Fluorescent, (3) 48", T-8 lamp, Rapid Start Ballast, HLO	0.098
F43LL-H	F32T8-PREM	Electronic	32	3	85 CRI, 24,000 Hr. RSR, Fluorescent, (3) 48", T-8 lamp, Rapid Start Ballast, HLO	0.098
F43LL-R	F32T8-STD	Electronic	32	3	70 CRI, 20,000 Hr. RSR, Fluorescent, (3) 48", T-8 lamp, Rapid Start Ballast, RLO	0.076
F43LL-R	F32T8-PREM	Electronic	32	3	85 CRI, 24,000 Hr. RSR, Fluorescent, (3) 48", T-8 lamp, Rapid Start Ballast, RLO	0.076
F43WLL	F32T8-PREM-ES	Elec-Prem	30	3	82 CRI, 15,000 Hr. ISR, Fluorescent, (3)48" ES T-8 lamp, Premium IS Ballast, NLO	0.077
F43WLL-R	F32T8-PREM-ES	Elec-Prem-R	30	3	82 CRI, 15,000 Hr. ISR, Fluorescent, (3)48" ES T-8 lamp, Premium IS Ballast, RLO	0.067
F44ILL	F32T8-STD	Electronic	32	4	70 CRI, 20,000 Hr. RSR, Fluorescent, (4) 48", T-8 lamp, Instant Start Ballast, NLO	0.112
F44ILL	F32T8-PREM	Electronic	32	4	85 CRI, 24,000 Hr. RSR, Fluorescent, (4) 48", T-8 lamp, Instant Start Ballast, NLO	0.112
F44ILL	F32T8-PREM	Elec-Prem	32	4	85 CRI, 24,000 Hr. RSR, Fluorescent, (4)48" T-8 lamp, Premium IS Ballast, NLO	0.108
F44ILL/2	F32T8-STD	Electronic	32	4	70 CRI, 20,000 Hr. RSR, Fluorescent, (4) 48", T-8 lamp, Instant Start Ballast, NLO, (2) ballast	0.118
F44ILL/2	F32T8-PREM	Electronic	32	4	85 CRI, 24,000 Hr. RSR, Fluorescent, (4) 48", T-8 lamp, Instant Start Ballast, NLO, (2) ballast	0.118
F44ILL/2-V	F32T8-STD	Electronic	32	4	70 CRI, 20,000 Hr. RSR, Fluorescent, (4) 48", T8 lamp, (2) Instant Start Ballasts, VHLO	0.152
F44ILL/2-V	F32T8-PREM	Electronic	32	4	85 CRI, 24,000 Hr. RSR, Fluorescent, (4) 48", T8 lamp, (2) Instant Start Ballasts, VHLO	0.152
F44ILL-R	F32T8-STD	Electronic	32	4	70 CRI, 20,000 Hr. RSR, Fluorescent, (4) 48", T-8 lamp, Instant Start Ballast, RLO	0.102
F44ILL-R	F32T8-PREM	Electronic	32	4	85 CRI, 24,000 Hr. RSR, Fluorescent, (4) 48", T-8 lamp, Instant Start Ballast, RLO	0.102
F44ILL-R	F32T8-PREM	Elec-Prem-R	32	4	85 CRI, 24,000 Hr. RSR, Fluorescent, (4)48" T-8 lamp, Premium IS Ballast, RLO	0.094
F44ILL-V	F32T8-STD	Electronic	32	4	70 CRI, 20,000 Hr. RSR, Fluorescent, (4) 48", T8 lamp, Instant Start Ballast, VHLO	0.151
F44ILL-V	F32T8-PREM	Electronic	32	4	85 CRI, 24,000 Hr. RSR, Fluorescent, (4) 48", T8 lamp, Instant Start Ballast, VHLO	0.151

FIXTURE CODE	LAMP CODE	BALLAST TYPE	NOM. W/LAMP	LAMP/ FIXT	DESCRIPTION	kW/ FIXT
F44LE	F32T8-STD	Mag-ES	32	4	70 CRI, 20,000 Hr. RSR, Fluorescent, (4) 48", T-8 lamp	0.142
F44LL	F32T8-STD	Electronic	32	4	70 CRI, 20,000 Hr. RSR, Fluorescent, (4) 48", T-8 lamp, Rapid Start Ballast, NLO	0.118
F44LL	F32T8-PREM	Electronic	32	4	85 CRI, 24,000 Hr. RSR, Fluorescent, (4) 48", T-8 lamp, Rapid Start Ballast, NLO	0.118
F44LL/2	F32T8-STD	Electronic	32	4	70 CRI, 20,000 Hr. RSR, Fluorescent, (4) 48", T-8 lamp, Rapid Start Ballast, NLO, (2) ballast	0.120
F44LL/2	F32T8-PREM	Electronic	32	4	85 CRI, 24,000 Hr. RSR, Fluorescent, (4) 48", T-8 lamp, Rapid Start Ballast, NLO, (2) ballast	0.120
F44LL-R	F32T8-STD	Electronic	32	4	70 CRI, 20,000 Hr. RSR, Fluorescent, (4) 48", T-8 lamp, Rapid Start Ballast, RLO	0.105
F44LL-R	F32T8-PREM	Electronic	32	4	85 CRI, 24,000 Hr. RSR, Fluorescent, (4) 48", T-8 lamp, Rapid Start Ballast, RLO	0.105
F44WLL	F32T8-PREM-ES	Elec-Prem	30	4	82 CRI, 15,000 Hr. ISR, Fluorescent, (4)48" ES T-8 lamp, Premium IS Ballast, NLO	0.102
F44WLL-R	F32T8-PREM-ES	Elec-Prem-R	30	4	82 CRI, 15,000 Hr. ISR, Fluorescent, (4)48" ES T-8 lamp, Premium IS Ballast, RLO	0.090
F45ILL	F32T8-STD	Electronic	32	5	70 CRI, 20,000 Hr. RSR, Fluorescent, (5) 48", T-8 lamp, (1) 3-lamp IS ballast and (1) 2-lamp IS ballast, NLO	0.148
F45ILL	F32T8-PREM	Electronic	32	5	85 CRI, 24,000 Hr. RSR, Fluorescent, (5) 48", T-8 lamp, (1) 3-lamp IS ballast and (1) 2-lamp IS ballast, NLO	0.148
F45ILL/2-V	F32T8-STD	Electronic	32	5	70 CRI, 20,000 Hr. RSR, Fluorescent, (5) 48", T8 lamp, (2) Instant Start Ballasts, VHLO	0.189
F45ILL/2-V	F32T8-PREM	Electronic	32	5	85 CRI, 24,000 Hr. RSR, Fluorescent, (5) 48", T8 lamp, (2) Instant Start Ballasts, VHLO	0.189
F46ILL	F32T8-STD	Electronic	32	6	70 CRI, 20,000 Hr. RSR, Fluorescent, (6) 48", T-8 lamp, Instant Start Ballast, NLO	0.175
F46ILL	F32T8-PREM	Electronic	32	6	85 CRI, 24,000 Hr. RSR, Fluorescent, (6) 48", T-8 lamp, Instant Start Ballast, NLO	0.175
F46ILL/2	F32T8-PREM	Elec-Prem	32	6	85 CRI, 24,000 Hr. RSR, Fluorescent, (6) 48", T8 lamp, (2) Premium IS Ballasts, NLO	0.162
F46ILL/2-R	F32T8-PREM	Elec-Prem-R	32	6	85 CRI, 24,000 Hr. RSR, Fluorescent, (6) 48", T8 lamp, (2) Premium IS Ballasts, RLO	0.142
F46ILL/2-V	F32T8-STD	Electronic	32	6	70 CRI, 20,000 Hr. RSR, Fluorescent, (6) 48", T8 lamp, (2) Instant Start Ballasts, VHLO	0.226
F46ILL/2-V	F32T8-PREM	Electronic	32	6	85 CRI, 24,000 Hr. RSR, Fluorescent, (6) 48", T8 lamp, (2) Instant Start Ballasts, VHLO	0.226

FIXTURE CODE	LAMP CODE	BALLAST TYPE	NOM. W/LAMP	LAMP/ FIXT	DESCRIPTION	kW/ FIXT
F46ILL-R	F32T8-STD	Electronic	32	6	70 CRI, 20,000 Hr. RSR, Fluorescent, (6) 48", T-8 lamp, Instant Start Ballast, RLO	0.156
F46ILL-R	F32T8-PREM	Electronic	32	6	85 CRI, 24,000 Hr. RSR, Fluorescent, (6) 48", T-8 lamp, Instant Start Ballast, RLO	0.156
F46LL	F32T8-STD	Electronic	32	6	70 CRI, 20,000 Hr. RSR, Fluorescent, (6) 48", T-8 lamp, Ballast, NLO	0.182
F46LL	F32T8-PREM	Electronic	32	6	85 CRI, 24,000 Hr. RSR, Fluorescent, (6) 48", T-8 lamp, Ballast, NLO	0.182
F46WLL/2	F32T8-PREM-ES	Elec-Prem	30	6	82 CRI, 15,000 Hr. ISR, Fluorescent, (6) 48", ES T8 lamp, (2) Premium IS Ballasts, NLO	0.153
F46WLL/2-R	F32T8-PREM-ES	Elec-Prem-R	30	6	82 CRI, 15,000 Hr. ISR, Fluorescent, (6) 48", ES T8 lamp, (2) Premium IS Ballasts, RLO	0.135
F48ILL	F32T8-STD	Electronic	32	8	70 CRI, 20,000 Hr. RSR, Fluorescent, (8) 48", T-8 lamp, Instant Start Ballast, NLO	0.224
F48ILL	F32T8-PREM	Electronic	32	8	85 CRI, 24,000 Hr. RSR, Fluorescent, (8) 48", T-8 lamp, Instant Start Ballast, NLO	0.224
F48ILL/2	F32T8-PREM	Elec-Prem	32	8	85 CRI, 24,000 Hr. RSR, Fluorescent, (8) 48", T8 lamp, (2) Premium IS Ballasts, NLO	0.216
F48ILL/2-R	F32T8-PREM	Elec-Prem-R	32	8	85 CRI, 24,000 Hr. RSR, Fluorescent, (8) 48", T8 lamp, (2) Premium IS Ballasts, RLO	0.188
F48ILL-R	F32T8-STD	Electronic	32	8	70 CRI, 20,000 Hr. RSR, Fluorescent, (8) 48", T-8 lamp, Instant Start Ballast, RLO	0.204
F48ILL-R	F32T8-PREM	Electronic	32	8	85 CRI, 24,000 Hr. RSR, Fluorescent, (8) 48", T-8 lamp, Instant Start Ballast, RLO	0.204
F48WLL/2	F32T8-PREM-ES	Elec-Prem	30	8	82 CRI, 15,000 Hr. ISR, Fluorescent, (8) 48", ES T8 lamp, (2) Premium IS Ballasts, NLO	0.204
F48WLL/2-R	F32T8-PREM-ES	Elec-Prem-R	30	8	82 CRI, 15,000 Hr. ISR, Fluorescent, (8) 48", ES T8 lamp, (2) Premium IS Ballasts, RLO	0.180

***F28T8 Linear Fluorescent Systems***

F42WLL	F28T8-PREM-ES	Elec-Prem	25	2	86 CRI, 20,000 HR, RSR, Fluorescent, (2) 48" T-8 lamp, Premium PRS Ballast, NLO	0.044
F42WLL	F28T8-PREM-ES	Elec-Prem	28	2	82 CRI, 18,000 HR. RSR, Fluorescent, (2) 48" T-8 lamp, Premium PRS Ballast, NLO	0.050
F42WLL-R	F28T8-PREM-ES	Elec-Prem-R	28	2	82 CRI, 18,000 HR. RSR, Fluorescent, (2) 48" T-8 lamp, Premium PRS Ballast, RLO	0.042
F42WLL-V	F28T8-PREM-ES	Elec-Prem	28	2	82 CRI, 18,000 HR. RSR, Fluorescent, (2) 48" T-8 lamp, Premium PRS Ballast, VHLO	0.064
F43WLL	F28T8-PREM-ES	Elec-Prem	25	3	86 CRI, 20,000 HR, RSR, Fluorescent, (3) 48" T-8 lamp, Premium PRS Ballast, NLO	0.066
F43WLL	F28T8-PREM-ES	Elec-Prem	28	3	82 CRI, 18,000 HR. RSR, Fluorescent, (3) 48" T-8 lamp, Premium PRS Ballast, NLO	0.074

FIXTURE CODE	LAMP CODE	BALLAST TYPE	NOM. W/LAMP	LAMP/ FIXT	DESCRIPTION	kW/ FIXT
F43WLL-R	F28T8-PREM-ES	Elec-Prem-R	28	3	82 CRI, 18,000 HR. RSR, Fluorescent, (3) 48" T-8 lamp, Premium PRS Ballast, RLO	0.063
F43WLL-V	F28T8-PREM-ES	Elec-Prem	28	3	82 CRI, 18,000 HR. RSR, Fluorescent, (3) 48" T-8 lamp, Premium PRS Ballast, VHLO	0.097
F44WLL	F28T8-PREM-ES	Elec-Prem	25	4	86 CRI, 20,000 HR, RSR, Fluorescent, (4) 48" T-8 lamp, Premium PRS Ballast, NLO	0.090
F44WLL	F28T8-PREM-ES	Elec-Prem	28	4	82 CRI, 18,000 HR. RSR, Fluorescent, (4) 48" T-8 lamp, Premium PRS Ballast, NLO	0.099
F44WLL-R	F28T8-PREM-ES	Elec-Prem-R	25	4	86 CRI, 20,000 HR, RSR, Fluorescent, (4) 48" T-8 lamp, Premium PRS Ballast, RLO	0.079
F44WLL-R	F28T8-PREM-ES	Elec-Prem-R	28	4	82 CRI, 18,000 HR. RSR, Fluorescent, (4) 48" T-8 lamp, Premium PRS Ballast, RLO	0.084

**T5 and T5HO Linear Fluorescent Systems**

F21PHL	F24T5/HO	Electronic	24	1	Fluorescent, (1) 22", T5/HO lamp, Instant Start Ballast	0.027
F21PL	F14T5	Electronic	14	1	Fluorescent, (1) 22", T5 lamp, Instant Start Ballast	0.018
F22PHL	F24T5/HO	Electronic	24	2	Fluorescent, (2) 22", T5/HO lamp, Instant Start Ballast	0.052
F22PL	F14T5	Electronic	14	2	Fluorescent, (2) 22", T5 lamp, Instant Start Ballast	0.034
F23PHL/2	F24T5/HO	Electronic	24	3	Fluorescent, (3) 22", T5/HO lamp, (2) Instant Start Ballasts	0.079
F23PL/2	F14T5	Electronic	14	3	Fluorescent, (3) 22", T5 lamp, (2) Instant Start Ballasts	0.052
F24PHL/2	F24T5/HO	Electronic	24	4	Fluorescent, (4) 22", T5/HO lamp, (2) Instant Start Ballast	0.104
F24PL/2	F14T5	Electronic	14	4	Fluorescent, (4) 22", T5 lamp, (2) Instant Start Ballasts	0.068
F31PHL	F39T5/HO	Electronic	39	1	Fluorescent, (1) 34", T5/HO lamp, Instant Start Ballast	0.042
F31PL	F21T5	Electronic	21	1	Fluorescent, (1) 34", T5 lamp, Instant Start Ballast	0.025
F32PHL	F39T5/HO	Electronic	39	2	Fluorescent, (2) 34", T5/HO lamp, Instant Start Ballast	0.085
F32PL	F21T5	Electronic	21	2	Fluorescent, (2) 34", T5 lamp, Instant Start Ballast	0.048
F33PHL/2	F39T5/HO	Electronic	39	3	Fluorescent, (3) 34", T5/HO lamp, (2) Instant Start Ballasts	0.127
F33PL/2	F21T5	Electronic	21	3	Fluorescent, (3) 34", T5 lamp, (2) Instant Start Ballasts	0.073
F34PHL/2	F39T5/HO	Electronic	39	4	Fluorescent, (4) 34", T5/HO lamp, (2) Instant Start Ballast	0.170
F34PL/2	F21T5	Electronic	21	4	Fluorescent, (4) 34", T5 lamp, (2) Instant Start Ballasts	0.096
F36PHL/3	F39T5/HO	Electronic	39	6	Fluorescent, (6) 34", T5/HO lamp, (3) Instant Start Ballast	0.255
F38PHL/4	F39T5/HO	Electronic	39	8	Fluorescent, (8) 34", T5/HO lamp, (4) Instant Start Ballast	0.340
F41PHL	F54T5/HO	Electronic	54	1	Fluorescent, (1) 46", T5/HO lamp, Instant Start Ballast	0.062
F41PHL/T2	F54T5/HO	Electronic	54	1	Fluorescent, (1) 46", T5/HO lamp, Instant Start Ballast, Tandem 2 Lamp Ballast	0.059
F41PL	F28T5	Electronic	28	1	Fluorescent, (1) 46", T5 lamp, Instant Start Ballast	0.033
F41PL/T2	F28T5	Electronic	28	1	Fluorescent, (1) 46", T5 lamp, Instant Start Ballast, Tandem 2 Lamp Ballast	0.032

FIXTURE CODE	LAMP CODE	BALLAST TYPE	NOM. W/LAMP	LAMP/ FIXT	DESCRIPTION	kW/ FIXT
F42PHL	F54T5/HO	Electronic	54	2	Fluorescent, (2) 46", T5/HO lamp, Instant Start Ballast	0.117
F42PL	F28T5	Electronic	28	2	Fluorescent, (2) 46", T5 lamp, Instant Start Ballast	0.064
F43PHL/2	F54T5/HO	Electronic	54	3	Fluorescent, (3) 46", T5/HO lamp, (2) Instant Start Ballasts	0.179
F43PL/2	F28T5	Electronic	28	3	Fluorescent, (3) 46", T5 lamp, (2) Instant Start Ballasts	0.097
F44PHL/2	F54T5/HO	Electronic	54	4	Fluorescent, (4) 46", T5/HO lamp, (2) Instant Start Ballast	0.234
F44PL/2	F28T5	Electronic	28	4	Fluorescent, (4) 46", T5 lamp, (2) Instant Start Ballasts	0.128
F46PHL/3	F54T5/HO	Electronic	54	6	Fluorescent, (6) 46", T5/HO lamp, (3) Instant Start Ballast	0.351
F46PL/3	F28T5	Electronic	28	6	Fluorescent, (6) 46", T5 lamp, (3) Instant Start Ballasts	0.192
F48PHL/4	F54T5/HO	Electronic	54	8	Fluorescent, (8) 46", T5/HO lamp, (4) Instant Start Ballast	0.468
F48PL/4	F28T5	Electronic	28	8	Fluorescent, (8) 46", T5 lamp, (4) Instant Start Ballasts	0.256
F51PHL	F80T5/HO	Electronic	80	1	Fluorescent, (1) 58", T5/HO lamp, Instant Start Ballast	0.089
F51PL	F35T5	Electronic	35	1	Fluorescent, (1) 58", T5 lamp, Instant Start Ballast	0.040
F52PL	F35T5	Electronic	35	2	Fluorescent, (2) 58", T5 lamp, Instant Start Ballast	0.078
F53PL/2	F35T5	Electronic	35	3	Fluorescent, (3) 58", T5 lamp, (2) Instant Start Ballasts	0.118
F54PL/2	F35T5	Electronic	35	4	Fluorescent, (4) 58", T5 lamp, (2) Instant Start Ballasts	0.156
F56PL/3	F35T5	Electronic	35	6	Fluorescent, (6) 58", T5 lamp, (3) Instant Start Ballasts	0.234
F58PL/4	F35T5	Electronic	35	8	Fluorescent, (8) 58", T5 lamp, (4) Instant Start Ballasts	0.312

**Other Linear Fluorescent Fixtures**

F1.51LS	F15T8	Mag-STD	15	1	Fluorescent, (1) 18" T8 lamp	0.019
F1.51SS	F15T12	Mag-STD	15	1	Fluorescent, (1) 18" T12 lamp	0.019
F1.52LS	F15T8	Mag-STD	15	2	Fluorescent, (2) 18" T8 lamp	0.036
F1.52SS	F15T12	Mag-STD	15	2	Fluorescent, (2) 18", T12 lamp	0.036
F21HS	F24T12/HO	Mag-STD	35	1	Fluorescent, (1) 24", HO lamp	0.062
F21ILL	F17T8	Electronic	17	1	Fluorescent, (1) 24", T-8 lamp, Instant Start Ballast, NLO	0.020
F21ILL/T2	F17T8	Electronic	17	1	Fluorescent, (1) 24", T-8 lamp, Instant Start Ballast, NLO, Tandem 2 Lamp Ballast	0.017
F21ILL/T2-R	F17T8	Electronic	17	1	Fluorescent, (1) 24", T-8 lamp, Instant Start Ballast, RLO, Tandem 2 Lamp Ballast	0.015
F21ILL/T3	F17T8	Electronic	17	1	Fluorescent, (1) 24", T-8 lamp, Instant Start Ballast, NLO, Tandem 3 Lamp Ballast	0.016
F21ILL/T3-R	F17T8	Electronic	17	1	Fluorescent, (1) 24", T-8 lamp, Instant Start Ballast, RLO, Tandem 3 Lamp Ballast	0.014
F21ILL/T4	F17T8	Electronic	17	1	Fluorescent, (1) 24", T-8 lamp, Instant Start Ballast, NLO, Tandem 4 Lamp Ballast	0.015
F21ILL/T4-R	F17T8	Electronic	17	1	Fluorescent, (1) 24", T-8 lamp, Instant Start Ballast, RLO, Tandem 4 Lamp Ballast	0.014

FIXTURE CODE	LAMP CODE	BALLAST TYPE	NOM. W/LAMP	LAMP/ FIXT	DESCRIPTION	kW/ FIXT
F21LL	F17T8	Electronic	17	1	Fluorescent, (1) 24", T-8 lamp, Rapid Start Ballast, NLO	0.016
F21LL/T2	F17T8	Electronic	17	1	Fluorescent, (1) 24", T-8 lamp, Rapid Start Ballast, NLO, Tandem 2 Lamp Ballast	0.016
F21LL/T3	F17T8	Electronic	17	1	Fluorescent, (1) 24", T-8 lamp, Rapid Start Ballast, NLO, Tandem 3 Lamp Ballast	0.017
F21LL/T4	F17T8	Electronic	17	1	Fluorescent, (1) 24", T-8 lamp, Rapid Start Ballast, NLO, Tandem 4 Lamp Ballast	0.017
F21LL-R	F17T8	Electronic	17	1	Fluorescent, (1) 24", T-8 lamp, Rapid Start Ballast, RLO	0.015
F21LS	F17T8	Mag-STD	17	1	Fluorescent, (1) 24", T8 lamp, Standard Ballast	0.024
F21SS	F20T12	Mag-STD	20	1	Fluorescent, (1) 24", STD lamp	0.028
F22HS	F24T12/HO	Mag-STD	35	2	Fluorescent, (2) 24", HO lamp	0.090
F22ILL	F17T8	Electronic	17	2	Fluorescent, (2) 24", T-8 lamp, Instant Start Ballast, NLO	0.033
F22ILL/T4	F17T8	Electronic	17	2	Fluorescent, (2) 24", T-8 lamp, Instant Start Ballast, NLO, Tandem 4 Lamp Ballast	0.031
F22ILL/T4-R	F17T8	Electronic	17	2	Fluorescent, (2) 24", T-8 lamp, Instant Start Ballast, RLO, Tandem 4 Lamp Ballast	0.028
F22ILL-R	F17T8	Electronic	17	2	Fluorescent, (2) 24", T-8 lamp, Instant Start Ballast, RLO	0.029
F22LL	F17T8	Electronic	17	2	Fluorescent, (2) 24", T-8 lamp, Rapid Start Ballast, NLO	0.031
F22LL/T4	F17T8	Electronic	17	2	Fluorescent, (2) 24", T-8 lamp, Rapid Start Ballast, NLO, Tandem 4 Lamp Ballast	0.034
F22LL-R	F17T8	Electronic	17	2	Fluorescent, (2) 24", T-8 lamp, Rapid Start Ballast, RLO	0.028
F22SS	F20T12	Mag-STD	20	2	Fluorescent, (2) 24", STD lamp	0.056
F23ILL	F17T8	Electronic	17	3	Fluorescent, (3) 24", T-8 lamp, Instant Start Ballast, NLO	0.047
F23ILL-H	F17T8	Electronic	17	3	Fluorescent, (3) 24", T-8 lamp, Instant Start Ballast, HLO	0.049
F23ILL-R	F17T8	Electronic	17	3	Fluorescent, (3) 24", T-8 lamp, Instant Start Ballast, RLO	0.043
F23LL	F17T8	Electronic	17	3	Fluorescent, (3) 24", T-8 lamp, Rapid Start Ballast, NLO	0.052
F23LL-R	F17T8	Electronic	17	3	Fluorescent, (3) 24", T-8 lamp, Rapid Start Ballast, RLO	0.041
F23SS	F20T12	Mag-STD	20	3	Fluorescent, (3) 24", STD lamp	0.062
F24ILL	F17T8	Electronic	17	4	Fluorescent, (4) 24", T-8 lamp, Instant Start Ballast, NLO	0.061
F24ILL-R	F17T8	Electronic	17	4	Fluorescent, (4) 24", T-8 lamp, Instant Start Ballast, RLO	0.055
F24LL	F17T8	Electronic	17	4	Fluorescent, (4) 24", T-8 lamp, Rapid Start Ballast, NLO	0.068
F24LL-R	F17T8	Electronic	17	4	Fluorescent, (4) 24", T-8 lamp, Rapid Start Ballast, RLO	0.057
F24SS	F20T12	Mag-STD	20	4	Fluorescent, (4) 24", STD lamp	0.112
F26SS	F20T12	Mag-STD	20	6	Fluorescent, (6) 24", STD lamp	0.146
F31EE/T2	F30T12/ES	Mag-ES	25	1	Fluorescent, (1) 36", ES lamp, Tandem wired	0.033
F31EL	F30T12/ES	Electronic	25	1	Fluorescent, (1) 36", ES lamp	0.026
F31ES	F30T12/ES	Mag-STD	25	1	Fluorescent, (1) 36", ES lamp	0.042

FIXTURE CODE	LAMP CODE	BALLAST TYPE	NOM. W/LAMP	LAMP/ FIXT	DESCRIPTION	kW/ FIXT
F31ES/T2	F30T12/ES	Mag-STD	25	1	Fluorescent, (1) 36", ES lamp, Tandem wired	0.037
F31ILL	F25T8	Electronic	25	1	Fluorescent, (1) 36", T-8 lamp, Instant Start Ballast, NLO	0.026
F31ILL/T2	F25T8	Electronic	25	1	Fluorescent, (1) 36", T-8 lamp, Instant Start Ballast, NLO, Tandem 2 Lamp Ballast	0.023
F31ILL/T2-H	F25T8	Electronic	25	1	Fluorescent, (1) 36", T-8 lamp, Instant Start Ballast, HLO, Tandem 2 Lamp Ballast	0.024
F31ILL/T2-R	F25T8	Electronic	25	1	Fluorescent, (1) 36", T-8 lamp, Instant Start Ballast, RLO, Tandem 2 Lamp Ballast	0.023
F31ILL/T3	F25T8	Electronic	25	1	Fluorescent, (1) 36", T-8 lamp, Instant Start Ballast, NLO, Tandem 3 Lamp Ballast	0.022
F31ILL/T3-R	F25T8	Electronic	25	1	Fluorescent, (1) 36", T-8 lamp, Instant Start Ballast, RLO, Tandem 3 Lamp Ballast	0.022
F31ILL/T4	F25T8	Electronic	25	1	Fluorescent, (1) 36", T-8 lamp, Instant Start Ballast, NLO, Tandem 4 Lamp Ballast	0.022
F31ILL/T4-R	F25T8	Electronic	25	1	Fluorescent, (1) 36", T-8 lamp, Instant Start Ballast, RLO, Tandem 4 Lamp Ballast	0.022
F31ILL-H	F25T8	Electronic	25	1	Fluorescent, (1) 36", T-8 lamp, Instant Start Ballast, HLO	0.028
F31ILL-R	F25T8	Electronic	25	1	Fluorescent, (1) 36", T-8 lamp, Instant Start Ballast, RLO	0.027
F31LL	F25T8	Electronic	25	1	Fluorescent, (1) 36", T-8 lamp, Rapid Start Ballast, NLO	0.024
F31LL/T2	F25T8	Electronic	25	1	Fluorescent, (1) 36", T-8 lamp, Rapid Start Ballast, NLO, Tandem 2 Lamp Ballast	0.023
F31LL/T3	F25T8	Electronic	25	1	Fluorescent, (1) 36", T-8 lamp, Rapid Start Ballast, NLO, Tandem 3 Lamp Ballast	0.024
F31LL/T4	F25T8	Electronic	25	1	Fluorescent, (1) 36", T-8 lamp, Rapid Start Ballast, NLO, Tandem 4 Lamp Ballast	0.022
F31LL-H	F25T8	Electronic	25	1	Fluorescent, (1) 36", T-8 lamp, Rapid Start Ballast, HLO	0.026
F31LL-R	F25T8	Electronic	25	1	Fluorescent, (1) 36", T-8 lamp, Rapid Start Ballast, RLO	0.023
F31SE/T2	F30T12	Mag-ES	30	1	Fluorescent, (1) 36", STD lamp, Tandem wired	0.037
F31SHS	F36T12/HO	Mag-STD	50	1	Fluorescent, (1) 36", HO lamp	0.070
F31SL	F30T12	Electronic	30	1	Fluorescent, (1) 36", STD lamp	0.031
F31SS	F30T12	Mag-STD	30	1	Fluorescent, (1) 36", STD lamp	0.046
F31SS/T2	F30T12	Mag-STD	30	1	Fluorescent, (1) 36", STD lamp, Tandem wired	0.041
F32EE	F30T12/ES	Mag-ES	25	2	Fluorescent, (2) 36", ES lamp	0.066
F32EL	F30T12/ES	Electronic	25	2	Fluorescent, (2) 36", ES lamp	0.050
F32ES	F30T12/ES	Mag-STD	25	2	Fluorescent, (2) 36", ES lamp	0.073
F32ILL	F25T8	Electronic	25	2	Fluorescent, (2) 36", T-8 lamp, Instant Start Ballast, NLO	0.046
F32ILL/T4	F25T8	Electronic	25	2	Fluorescent, (2) 36", T-8 lamp, Instant Start Ballast, NLO, Tandem 4 Lamp Ballast	0.044



FIXTURE CODE	LAMP CODE	BALLAST TYPE	NOM. W/LAMP	LAMP/ FIXT	DESCRIPTION	kW/ FIXT
F32ILL/T4-R	F25T8	Electronic	25	2	Fluorescent, (2) 36", T-8 lamp, Instant Start Ballast, RLO, Tandem 4 Lamp Ballast	0.043
F32ILL-H	F25T8	Electronic	25	2	Fluorescent, (2) 36", T-8 lamp, Instant Start Ballast, HLO	0.048
F32ILL-R	F25T8	Electronic	25	2	Fluorescent, (2) 36", T-8 lamp, Instant Start Ballast, RLO	0.046
F32LL	F25T8	Electronic	25	2	Fluorescent, (2) 36", T-8 lamp, Rapid Start Ballast, NLO	0.046
F32LL/T4	F25T8	Electronic	25	2	Fluorescent, (2) 36", T-8 lamp, Rapid Start Ballast, NLO, Tandem 4 Lamp Ballast	0.045
F32LL-H	F25T8	Electronic	25	2	Fluorescent, (2) 36", T-8 lamp, Rapid Start Ballast, HLO	0.050
F32LL-R	F25T8	Electronic	25	2	Fluorescent, (2) 36", T-8 lamp, Rapid Start Ballast, RLO	0.042
F32LL-V	F25T8	Electronic	25	2	Fluorescent, (2) 36", T-8 lamp, Rapid Start Ballast, VHLO	0.070
F32SE	F30T12	Mag-ES	30	2	Fluorescent, (2) 36", STD lamp	0.074
F32SHS	F36T12/HO	Mag-STD	50	2	Fluorescent, (2) 36", HO, lamp	0.114
F32SL	F30T12	Electronic	30	2	Fluorescent, (2) 36", STD lamp	0.058
F32SS	F30T12	Mag-STD	30	2	Fluorescent, (2) 36", STD lamp	0.081
F33ES	F30T12/ES	Mag-STD	25	3	Fluorescent, (3) 36", ES lamp	0.115
F33ILL	F25T8	Electronic	25	3	Fluorescent, (3) 36", T-8 lamp, Instant Start Ballast, NLO	0.067
F33ILL-R	F25T8	Electronic	25	3	Fluorescent, (3) 36", T-8 lamp, Instant Start Ballast, RLO	0.066
F33LL	F25T8	Electronic	25	3	Fluorescent, (3) 36", T-8 lamp, Rapid Start Ballast, NLO	0.072
F33LL-R	F25T8	Electronic	25	3	Fluorescent, (3) 36", T-8 lamp, Rapid Start Ballast, RLO	0.062
F33SE	F30T12	Mag-ES	30	3	Fluorescent, (3) 36", STD lamp, (1) STD ballast and (1) ES ballast	0.120
F33SS	F30T12	Mag-STD	30	3	Fluorescent, (3) 36", STD lamp	0.127
F34ILL	F25T8	Electronic	25	4	Fluorescent, (4) 36", T-8 lamp, Instant Start Ballast, NLO	0.087
F34ILL-R	F25T8	Electronic	25	4	Fluorescent, (4) 36", T-8 lamp, Instant Start Ballast, RLO	0.086
F34LL	F25T8	Electronic	25	4	Fluorescent, (4) 36", T-8 lamp, Rapid Start Ballast, NLO	0.089
F34LL-R	F25T8	Electronic	25	4	Fluorescent, (4) 36", T-8 lamp, Rapid Start Ballast, RLO	0.084
F34SE	F30T12	Mag-ES	30	4	Fluorescent, (4) 36", STD lamp	0.148
F34SL	F30T12	Electronic	30	4	Fluorescent, (4) 36", STD lamp	0.116
F34SS	F30T12	Mag-STD	30	4	Fluorescent, (4) 36", STD lamp	0.162
F36EE	F30T12/ES	Mag-ES	25	6	Fluorescent, (2) 36", ES lamp	0.198
F36ILL-R	F25T8	Electronic	25	6	Fluorescent, (6) 36", T-8 lamp, Instant Start Ballast, RLO	0.134
F36SE	F30T12	Mag-ES	30	6	Fluorescent, (2) 36", STD lamp	0.342
F40EE/D1	None	Mag-ES	0	1	Fluorescent, (0) 48" lamp, Completely delamped fixture with (1) hot ballast	0.004
F40EE/D2	None	Mag-ES	0	1	Fluorescent, (0) 48" lamp, Completely delamped fixture with (2) hot ballast	0.008
F41EE	F40T12/ES	Mag-ES	34	1	Fluorescent, (1) 48", ES lamp	0.043
F41EE/D2	F40T12/ES	Mag-ES	34	1	Fluorescent, (1) 48", ES lamp, 2 ballast	0.043
F41EE/T2	F40T12/ES	Mag-ES	34	1	Fluorescent, (1) 48", ES lamp, tandem wired, 2-lamp ballast	0.036

FIXTURE CODE	LAMP CODE	BALLAST TYPE	NOM. W/LAMP	LAMP/ FIXT	DESCRIPTION	kW/ FIXT
F41EHS	F48T12/HO/ES	Mag-STD	55	1	Fluorescent, (1) 48", ES HO lamp	0.080
F41EIS	F48T12/ES	Mag-STD	30	1	Fluorescent, (1) 48" ES Instant Start lamp. Magnetic ballast	0.051
F41EL	F40T12/ES	Electronic	34	1	Fluorescent, (1) 48", T12 ES lamp, Electronic Ballast	0.032
F41IAL	F25T12	Electronic	25	1	Fluorescent, (1) 48", F25T12 lamp, Instant Start Ballast	0.025
F41IAL/T2-R	F25T12	Electronic	25	1	Fluorescent, (1) 48", F25T12 lamp, Instant Start, Tandem 2-Lamp Ballast, RLO	0.019
F41IAL/T3-R	F25T12	Electronic	25	1	Fluorescent, (1) 48", F25T12 lamp, Instant Start, Tandem 3-Lamp Ballast, RLO	0.020
F41SHS	F48T12/HO	Mag-STD	60	1	Fluorescent, (1) 48", STD HO lamp	0.085
F41SIL	F40T12	Electronic	39	1	Fluorescent, (1) 48", STD IS lamp, Electronic ballast	0.046
F41SIL/T2	F40T12	Electronic	39	1	Fluorescent, (1) 48", STD IS lamp, Electronic ballast, tandem wired	0.037
F41SIS	F40T12	Mag-STD	39	1	Fluorescent, (1) 48", STD IS lamp	0.060
F41SIS/T2	F40T12	Mag-STD	39	1	Fluorescent, (1) 48", STD IS lamp, tandem to 2-lamp ballast	0.052
F41SVS	F48T12/VHO	Mag-STD	110	1	Fluorescent, (1) 48", STD VHO lamp	0.135
F41TS	F40T10	Mag-STD	40	1	Fluorescent, (1) 48", T-10 lamp	0.051
F42EE	F40T12/ES	Mag-ES	34	2	Fluorescent, (2) 48", ES lamp	0.072
F42EE/D2	F40T12/ES	Mag-ES	34	2	Fluorescent, (2) 48", ES lamp, 2 Ballasts (delamped)	0.076
F3.52EHS	F42T12/HO/ES	Mag-STD	55	2	Fluorescent, (2) 42", HO lamp (3.5' lamp)	0.135
F42EIS	F48T12/ES	Mag-STD	30	2	Fluorescent, (2) 48" ES Instant Start lamp. Magnetic ballast	0.082
F42EL	F40T12/ES	Electronic	34	2	Fluorescent, (2) 48", T12 ES lamps, Electronic Ballast	0.060
F42IAL/T4-R	F25T12	Electronic	25	2	Fluorescent, (2) 48", F25T12 lamp, Instant Start, Tandem 4-Lamp Ballast, RLO	0.040
F42IAL-R	F25T12	Electronic	25	2	Fluorescent, (2) 48", F25T12 lamp, Instant Start Ballast, RLO	0.039
F42SHS	F48T12/HO	Mag-STD	60	2	Fluorescent, (2) 48", STD HO lamp	0.145
F42SIL	F40T12	Electronic	39	2	Fluorescent, (2) 48", STD IS lamp, Electronic ballast	0.074
F42SVS	F48T12/VHO	Mag-STD	110	2	Fluorescent, (2) 48", STD VHO lamp	0.242
F43EE	F40T12/ES	Mag-ES	34	3	Fluorescent, (3) 48", ES lamp	0.115
F43EHS	F42T12/HO/ES	Mag-STD	55	3	Fluorescent, (3) 42", HO lamp (3.5' lamp)	0.215
F43EIS	F48T12/ES	Mag-STD	30	3	Fluorescent, (3) 48" ES Instant Start lamp. Magnetic ballast	0.133
F43EL	F40T12/ES	Electronic	34	3	Fluorescent, (3) 48", T12 ES lamps, Electronic Ballast	0.092
F43IAL-R	F25T12	Electronic	25	3	Fluorescent, (3) 48", F25T12 lamp, Instant Start Ballast, RLO	0.060
F43SHS	F48T12/HO	Mag-STD	60	3	Fluorescent, (3) 48", STD HO lamp	0.230
F43SIL	F40T12	Electronic	39	3	Fluorescent, (3) 48", STD IS lamp, Electronic ballast	0.120
F43SVS	F48T12/VHO	Mag-STD	110	3	Fluorescent, (3) 48", STD VHO lamp	0.377
F44EE	F40T12/ES	Mag-ES	34	4	Fluorescent, (4) 48", ES lamp	0.144
F44EE/D4	F40T12/ES	Mag-ES	34	4	Fluorescent, (4) 48", ES lamp, 4 Ballasts (delamped)	0.152

FIXTURE CODE	LAMP CODE	BALLAST TYPE	NOM. W/LAMP	LAMP/ FIXT	DESCRIPTION	kW/ FIXT
F44EHS	F48T12/HO/ES	Mag-STD	55	4	Fluorescent, (4) 48", ES HO lamp	0.270
F44EIS	F48T12/ES	Mag-STD	30	4	Fluorescent, (4) 48" ES Instant Start lamp. Magnetic ballast	0.164
F44EL	F40T12/ES	Electronic	34	4	Fluorescent, (4) 48", T12 ES lamps, Electronic Ballast	0.120
F44EVS	F48T12/VHO/ES	Mag-STD	95	4	Fluorescent, (4) 48", VHO ES lamp	0.420
F44IAL-R	F25T12	Electronic	25	4	Fluorescent, (4) 48", F25T12 lamp, Instant Start Ballast, RLO	0.080
F44SHS	F48T12/HO	Mag-STD	60	4	Fluorescent, (4) 48", STD HO lamp	0.290
F44SIL	F40T12	Electronic	39	4	Fluorescent, (4) 48", STD IS lamp, Electronic ballast	0.148
F44SVS	F48T12/VHO	Mag-STD	110	4	Fluorescent, (4) 48", STD VHO lamp	0.484
F46EE	F40T12/ES	Mag-ES	34	6	Fluorescent, (6) 48", ES lamp	0.216
F46EL	F40T12/ES	Electronic	34	6	Fluorescent, (6) 48", ES lamp	0.186
F48EE	F40T12/ES	Mag-ES	34	8	Fluorescent, (8) 48", ES lamp	0.288
F51ILL	F40T8	Electronic	40	1	Fluorescent, (1) 60", T-8 lamp, Instant Start Ballast, NLO	0.036
F51ILL/T2	F40T8	Electronic	40	1	Fluorescent, (1) 60", T-8 lamp, Instant Start Ballast, NLO, Tandem 2 Lamp Ballast	0.036
F51ILL/T3	F40T8	Electronic	40	1	Fluorescent, (1) 60", T-8 lamp, Instant Start Ballast, NLO, Tandem 3 Lamp Ballast	0.035
F51ILL/T4	F40T8	Electronic	40	1	Fluorescent, (1) 60", T-8 lamp, Instant Start Ballast, NLO, Tandem 4 Lamp Ballast	0.034
F51ILL-R	F40T8	Electronic	40	1	Fluorescent, (1) 60", T-8 lamp, Instant Start Ballast, RLO	0.043
F51SHE	F60T12/HO	Mag-ES	75	1	Fluorescent, (1) 60", STD HO lamp	0.088
F51SHL	F60T12/HO	Electronic	75	1	Fluorescent, (1) 60", STD HO lamp	0.069
F51SHS	F60T12/HO	Mag-STD	75	1	Fluorescent, (1) 60", STD HO lamp	0.092
F51SL	F60T12	Electronic	50	1	Fluorescent, (1) 60", STD lamp	0.044
F51SS	F60T12	Mag-STD	50	1	Fluorescent, (1) 60", STD lamp	0.063
F51SVS	F60T12/VHO	Mag-STD	135	1	Fluorescent, (1) 60", VHO ES lamp	0.165
F52ILL	F40T8	Electronic	40	2	Fluorescent, (2) 60", T-8 lamp, Instant Start Ballast, NLO	0.072
F52ILL/T4	F40T8	Electronic	40	2	Fluorescent, (2) 60", T-8 lamp, Instant Start Ballast, NLO, Tandem 2 Lamp Ballast	0.067
F52ILL-H	F40T8	Electronic	40	2	Fluorescent, (2) 60", T-8 lamp, Instant Start Ballast, HLO	0.080
F52ILL-R	F40T8	Electronic	40	2	Fluorescent, (2) 60", T-8 lamp, Instant Start Ballast, RLO	0.073
F52SHE	F60T12/HO	Mag-ES	75	2	Fluorescent, (2) 60", STD HO lamp	0.176
F52SHL	F60T12/HO	Electronic	75	2	Fluorescent, (2) 60", STD HO lamp	0.138
F52SHS	F60T12/HO	Mag-STD	75	2	Fluorescent, (2) 60", STD HO lamp	0.168
F52SL	F60T12	Electronic	50	2	Fluorescent, (2) 60", STD lamp	0.088
F52SS	F60T12	Mag-STD	50	2	Fluorescent, (2) 60", STD lamp	0.128
F52SVS	F60T12/VHO	Mag-STD	135	2	Fluorescent, (2) 60", VHO ES lamp	0.310

FIXTURE CODE	LAMP CODE	BALLAST TYPE	NOM. W/LAMP	LAMP/ FIXT	DESCRIPTION	kW/ FIXT
F53ILL	F40T8	Electronic	40	3	Fluorescent, (3) 60", T-8 lamp, Instant Start Ballast, NLO	0.106
F53ILL-H	F40T8	Electronic	40	3	Fluorescent, (3) 60", T-8 lamp, Instant Start Ballast, HLO	0.108
F54ILL	F40T8	Electronic	40	4	Fluorescent, (4) 60", T-8 lamp, Instant Start Ballast, NLO	0.134
F54ILL-H	F40T8	Electronic	40	4	Fluorescent, (4) 60", T-8 lamp, Instant Start Ballast, HLO	0.126
F61ISL	F72T12	Electronic	55	1	Fluorescent, (1) 72", STD lamp, IS electronic ballast	0.068
F61SHS	F72T12/HO	Mag-STD	85	1	Fluorescent, (1) 72", STD HO lamp	0.120
F61SS	F72T12	Mag-STD	55	1	Fluorescent, (1) 72", STD lamp	0.076
F61SVS	F72T12/VHO	Mag-STD	160	1	Fluorescent, (1) 72", VHO lamp	0.180
F62ISL	F72T12	Electronic	55	2	Fluorescent, (2) 72", STD lamp, IS electronic ballast	0.108
F62SE	F72T12	Mag-ES	55	2	Fluorescent, (2) 72", STD lamp	0.122
F62SHE	F72T12/HO	Mag-ES	85	2	Fluorescent, (2) 72", STD HO lamp	0.194
F62SHS	F72T12/HO	Mag-STD	85	2	Fluorescent, (2) 72", STD HO lamp	0.220
F62SL	F72T12	Electronic	55	2	Fluorescent, (2) 72", STD lamp	0.108
F62SS	F72T12	Mag-STD	55	2	Fluorescent, (2) 72", STD lamp	0.122
F62SVS	F72T12/VHO	Mag-STD	160	2	Fluorescent, (2) 72", VHO lamp	0.330
F63ISL	F72T12	Electronic	55	3	Fluorescent, (3) 72", STD lamp, IS electronic ballast	0.176
F63SS	F72T12	Mag-STD	55	3	Fluorescent, (3) 72", STD lamp	0.202
F64ISL	F72T12	Electronic	55	4	Fluorescent, (4) 72", STD lamp, IS electronic ballast	0.216
F64SE	F72T12	Mag-ES	55	4	Fluorescent, (4) 72", STD lamp	0.244
F64SHE	F72T12/HO	Mag-ES	85	4	Fluorescent, (4) 72", HO lamp	0.388
F64SS	F72T12	Mag-STD	56	4	Fluorescent, (4) 72", STD lamp	0.244
F81EE/T2	F96T12/ES	Mag-ES	60	1	Fluorescent, (1) 96", ES lamp, tandem to 2-lamp ballst	0.062
F81EHL	F96T12/HO/ES	Electronic	95	1	Fluorescent, (1) 96", ES HO lamp	0.080
F81EHS	F96T12/HO/ES	Mag-STD	95	1	Fluorescent, (1) 96", ES HO lamp	0.112
F81EL	F96T12/ES	Electronic	60	1	Fluorescent, (1) 96", ES lamp	0.069
F81ES	F96T12/ES	Mag-STD	60	1	Fluorescent, (1) 96", ES lamp	0.075
F81ES/T2	F96T12/ES	Mag-STD	60	1	Fluorescent, (1) 96", ES lamp, tandem to 2-lamp ballast	0.064
F81EVS	F96T12/VHO/ES	Mag-STD	185	1	Fluorescent, (1) 96", ES VHO lamp	0.205
F81ILL	F96T8	Electronic	59	1	Fluorescent, (1) 96", T-8 lamp, Instant Start Ballast, NLO	0.058
F81ILL/T2	F96T8	Electronic	59	1	Fluorescent, (1) 96", T-8 lamp, Instant Start Ballast, NLO, Tandem 2 Lamp Ballast	0.055
F81ILL/T2-R	F96T8	Electronic	59	1	Fluorescent, (1) 96", T-8 lamp, Instant Start Ballast, RLO, Tandem 2 Lamp Ballast	0.049
F81ILL-H	F96T8	Electronic	59	1	Fluorescent, (1) 96", T-8 lamp, Instant Start Ballast, HLO	0.068
F81ILL-R	F96T8	Electronic	59	1	Fluorescent, (1) 96", T-8 lamp, Instant Start Ballast, RLO	0.057
F81ILL-V	F96T8	Electronic	59	1	Fluorescent, (1) 96", T-8 lamp, Instant Start Ballast, VHLO	0.071

FIXTURE CODE	LAMP CODE	BALLAST TYPE	NOM. W/LAMP	LAMP/ FIXT	DESCRIPTION	kW/ FIXT
F81LHL/T2	F96T8/HO	Electronic	86	1	Fluorescent, (1) 96", T8 HO lamp, tandem wired to 2-lamp ballast	0.080
F82EE	F96T12/ES	Mag-ES	60	2	Fluorescent, (2) 96", ES lamp	0.123
F82EHE	F96T12/HO/ES	Mag-ES	95	2	Fluorescent, (2) 96", ES HO lamp	0.207
F82EHL	F96T12/HO/ES	Electronic	95	2	Fluorescent, (2) 96", ES HO lamp	0.173
F82EHS	F96T12/HO/ES	Mag-STD	95	2	Fluorescent, (2) 96", ES HO lamp	0.227
F82EL	F96T12/ES	Electronic	60	2	Fluorescent, (2) 96", ES lamp	0.110
F82ES	F96T12/ES	Mag-STD	60	2	Fluorescent, (2) 96", ES lamp	0.128
F82EVS	F96T12/VHO/ES	Mag-STD	185	2	Fluorescent, (2) 96", ES VHO lamp	0.380
F82ILL	F96T8	Electronic	59	2	Fluorescent, (2) 96", T-8 lamp, Instant Start Ballast, NLO	0.109
F82ILL-R	F96T8	Electronic	59	2	Fluorescent, (2) 96", T-8 lamp, Instant Start Ballast, RLO	0.098
F82LHL	F96T8/HO	Electronic	86	2	Fluorescent, (2) 96", T8 HO lamp	0.160
F83EE	F96T12/ES	Mag-ES	60	3	Fluorescent, (3) 96", ES lamp	0.210
F83EHE	F96T12/HO/ES	Mag-ES/STD	95	3	Fluorescent, (3) 96", ES HO lamp, (1) 2-lamp ES Ballast, (1) 1-lamp STD Ballast	0.319
F83EHS	F96T12/HO/ES	Mag-STD	95	3	Fluorescent, (3) 96", ES HO lamp	0.380
F83EL	F96T12/ES	Electronic	60	3	Fluorescent, (3) 96", ES lamp	0.179
F83ES	F96T12/ES	Mag-STD	60	3	Fluorescent, (3) 96", ES lamp	0.203
F83EVS	F96T12/VHO/ES	Mag-STD	185	3	Fluorescent, (3) 96", ES VHO lamp	0.585
F83ILL	F96T8	Electronic	59	3	Fluorescent, (3) 96", T-8 lamp, Instant Start Ballast, NLO	0.167
F84EE	F96T12/ES	Mag-ES	60	4	Fluorescent, (4) 96", ES lamp	0.246
F84EHE	F96T12/HO/ES	Mag-ES	95	4	Fluorescent, (4) 96", ES HO lamp	0.414
F84EHL	F96T12/HO/ES	Electronic	95	4	Fluorescent, (4) 96", ES HO lamp	0.346
F84EHS	F96T12/HO/ES	Mag-STD	95	4	Fluorescent, (4) 96", ES HO lamp	0.454
F84EL	F96T12/ES	Electronic	60	4	Fluorescent, (4) 96", ES lamp	0.220
F84ES	F96T12/ES	Mag-STD	60	4	Fluorescent, (4) 96", ES lamp	0.256
F84EVS	F96T12/VHO/ES	Mag-STD	185	4	Fluorescent, (4) 96", ES VHO lamp	0.760
F84ILL	F96T8	Electronic	59	4	Fluorescent, (4) 96", T-8 lamp, Instant Start Ballast, NLO	0.219
F84LHL	F96T8/HO	Electronic	86	4	Fluorescent, (4) 96", T8 HO lamp	0.320
F86EHS	F96T12/HO/ES	Mag-STD	95	6	Fluorescent, (6) 96", ES HO lamp	0.721
F86ILL	F96T8	Electronic	59	6	Fluorescent, (6) 96", T-8 lamp, Instant Start Ballast, NLO	0.328

***Circline Fluorescent Fixtures***

FC12/1	FC12T9	Mag-STD	32	1	Fluorescent, (1) 12" circular lamp, RS ballast	0.031
FC12/2	FC12T9	Mag-STD	32	2	Fluorescent, (2) 12" circular lamp, RS ballast	0.062
FC16/1	FC16T9	Mag-STD	40	1	Fluorescent, (1) 16" circular lamp	0.035
FC20	FC6T9	Mag-STD	20	1	Fluorescent, Circlite, (1) 20W lamp, Preheat ballast	0.020

FIXTURE CODE	LAMP CODE	BALLAST TYPE	NOM. W/LAMP	LAMP/ FIXT	DESCRIPTION	kW/ FIXT
FC22	FC8T9	Mag-STD	22	1	Fluorescent, Circlite, (1) 22W lamp, preheat ballast	0.020
FC32	FC12T9	Mag-STD	32	1	Fluorescent, Circline, (1) 32W lamp, preheat ballast	0.040
FC40	FC16T9	Mag-STD	32	1	Fluorescent, Circline, (1) 32W lamp, preheat ballast	0.042
FC6/1	FC6T9	Mag-STD	20	1	Fluorescent, (1) 6" circular lamp, RS ballast	0.025
FC8/1	FC8T9	Mag-STD	22	1	Fluorescent, (1) 8" circular lamp, RS ballast	0.026
FC8/2	FC8T9	Mag-STD	22	2	Fluorescent, (2) 8" circular lamp, RS ballast	0.052

***U-Tube Fluorescent Fixtures***

FU1EE	FU40T12/ES	Mag-ES	35	1	Fluorescent, (1) U-Tube, ES lamp	0.043
FU1ILL	FU31T8/6	Electronic	32	1	Fluorescent, (1) U-Tube, T-8 lamp, Instant Start ballast	0.031
FU1LL	FU31T8/6	Electronic	32	1	Fluorescent, (1) U-Tube, T-8 lamp	0.032
FU1LL-R	FU31T8/6	Electronic	31	1	Fluorescent, (1) U-Tube, T-8 lamp, RLO	0.027
FU2EE	FU40T12/ES	Mag-ES	35	2	Fluorescent, (2) U-Tube, ES lamp	0.072
FU2ILL	FU31T8/6	Electronic	32	2	Fluorescent, (2) U-Tube, T-8 lamp, Instand Start Ballast	0.059
FU2ILL/T4	FU31T8/6	Electronic	32	2	Fluorescent, (2) U-Tube, T-8 lamp, Instand Start Ballast, tandem wired	0.056
FU2ILL/T4-R	FU31T8/6	Electronic	32	2	Fluorescent, (2) U-Tube, T-8 lamp, Instand Start Ballast, RLO, tandem wired	0.051
FU2ILL-H	FU31T8/6	Electronic	32	2	Fluorescent, (2) U-Tube, T-8 lamp, Instand Start HLO Ballast	0.065
FU2ILL-R	FU31T8/6	Electronic	32	2	Fluorescent, (2) U-Tube, T-8 lamp, Instand Start RLO Ballast	0.052
FU2LL	FU31T8/6	Electronic	32	2	Fluorescent, (2) U-Tube, T-8 lamp	0.060
FU2LL/T2	FU31T8/6	Electronic	32	2	Fluorescent, (2) U-Tube, T-8 lamp, Tandem 4 lamp ballast	0.059
FU2LL-R	FU31T8/6	Electronic	31	2	Fluorescent, (2) U-Tube, T-8 lamp, RLO	0.054
FU3EE	FU40T12/ES	Mag-ES	35	3	Fluorescent, (3) U-Tube, ES lamp	0.115
FU3ILL	FU31T8/6	Electronic	32	3	Fluorescent, (3) U-Tube, T-8 lamp, Instand Start Ballast	0.089
FU3ILL-R	FU31T8/6	Electronic	32	3	Fluorescent, (3) U-Tube, T-8 lamp, Instand Start RLO Ballast	0.078

***Halogen Incandescent Fixtures***

H42/1	H42		42	1	Halogen Incandescent, (1) 42W lamp	0.042
H45/1	H45		45	1	Halogen Incandescent, (1) 45W lamp	0.045
H45/2	H45		45	2	Halogen Incandescent, (2) 45W lamp	0.090
H50/1	H50		50	1	Halogen Incandescent, (1) 50W lamp	0.050
HLV50/1	H50/LV		50	1	Halogen, (1) Low Voltage MR16 lamp	0.060
H50/2	H50		50	2	Halogen Incandescent, (2) 50W lamp	0.100
H52/1	H52		52	1	Halogen Incandescent, (1) 52W lamp	0.052
H55/1	H55		55	1	Halogen Incandescent, (1) 55W lamp	0.055
H55/2	H55		55	2	Halogen Incandescent, (2) 55W lamp	0.110

FIXTURE CODE	LAMP CODE	BALLAST TYPE	NOM. W/LAMP	LAMP/ FIXT	DESCRIPTION	kW/ FIXT
H60/1	H60		60	1	Halogen Incandescent, (1) 60W lamp	0.060
H72/1	H72		72	1	Halogen Incandescent, (1) 72W lamp	0.072
H75/1	H75		75	1	Halogen Incandescent, (1) 75W lamp	0.075
H75/2	H75		75	2	Halogen Incandescent, (2) 75W lamp	0.150
H90/1	H90		90	1	Halogen Incandescent, (1) 90W lamp	0.090
H90/2	H90		90	2	Halogen Incandescent, (2) 90W lamp	0.180
H100/1	H100		100	1	Halogen Incandescent, (1) 100W lamp	0.100
H150/1	H150		150	1	Halogen Incandescent, (1) 150W lamp	0.150
H150/2	H150		150	2	Halogen Incandescent, (2) 150W lamp	0.300
H300/1	H300		300	1	Halogen Incandescent, (1) 300W lamp	0.300
H500/1	H500		500	1	Halogen Incandescent, (1) 500W lamp	0.500

**High Pressure Sodium Fixtures**

HPS35/1	HPS35		35	1	High Pressure Sodium, (1) 35W lamp	0.046
HPS50/1	HPS50		50	1	High Pressure Sodium, (1) 50W lamp	0.066
HPS70/1	HPS70		70	1	High Pressure Sodium, (1) 70W lamp	0.095
HPS100/1	HPS100		100	1	High Pressure Sodium, (1) 100W lamp	0.138
HPS150/1	HPS150		150	1	High Pressure Sodium, (1) 150W lamp	0.188
HPS200/1	HPS200		200	1	High Pressure Sodium, (1) 200W lamp	0.250
HPS250/1	HPS250		250	1	High Pressure Sodium, (1) 250W lamp	0.295
HPS310/1	HPS310		310	1	High Pressure Sodium, (1) 310W lamp	0.365
HPS360/1	HPS360		360	1	High Pressure Sodium, (1) 360W lamp	0.414
HPS400/1	HPS400		400	1	High Pressure Sodium, (1) 400W lamp	0.465
HPS1000/1	HPS1000		1000	1	High Pressure Sodium, (1) 1000W lamp	1.100

**Standard Incandescent Fixtures**

I7.5/1	I7.5		7.5	1	Tungsten exit light, (1) 7.5 W lamp, used in night light application	0.008
I7.5/2	I7.5		7.5	2	Tungsten exit light, (2) 7.5 W lamp, used in night light application	0.015
I15/1	I15		15	1	Incandescent, (1) 15W lamp	0.015
I15/2	I15		15	2	Incandescent, (2) 15W lamp	0.030
I20/1	I20		20	1	Incandescent, (1) 20W lamp	0.020
I20/2	I20		20	2	Incandescent, (2) 20W lamp	0.040
I25/1	I25		25	1	Incandescent, (1) 25W lamp	0.025
I25/2	I25		25	2	Incandescent, (2) 25W lamp	0.050
I25/4	I25		25	4	Incandescent, (4) 25W lamp	0.100
I34/1	I34		34	1	Incandescent, (1) 34W lamp	0.034

FIXTURE CODE	LAMP CODE	BALLAST TYPE	NOM. W/LAMP	LAMP/ FIXT	DESCRIPTION	kW/ FIXT
I40E/1	I40/ES		34	1	Incandescent, (1) 40W ES lamp	0.034
I40EL/1	I40/ES/LL		34	1	Incandescent, (1) 40W ES/LL lamp	0.034
I34/2	I34		34	2	Incandescent, (2) 34W lamp	0.068
I36/1	I36		36	1	Incandescent, (1) 36W lamp	0.036
I40/1	I40		40	1	Incandescent, (1) 40W lamp	0.040
I40/2	I40		40	2	Incandescent, (2) 40W lamp	0.080
I42/1	I42		42	1	Incandescent, (1) 42W lamp	0.042
I45/1	I45		45	1	Incandescent, (1) 45W lamp	0.045
I50/1	I50		50	1	Incandescent, (1) 50W lamp	0.050
I50/2	I50		50	2	Incandescent, (2) 50W lamp	0.100
I52/1	I52		52	1	Incandescent, (1) 52W lamp	0.052
I60E/1	I60/ES		52	1	Incandescent, (1) 60W ES lamp	0.052
I60EL/1	I60/ES/LL		52	1	Incandescent, (1) 60W ES/LL lamp	0.052
I52/2	I52		52	2	Incandescent, (2) 52W lamp	0.104
I54/1	I54		54	1	Incandescent, (1) 54W lamp	0.054
I54/2	I54		54	2	Incandescent, (2) 54W lamp	0.108
I55/1	I55		55	1	Incandescent, (1) 55W lamp	0.055
I55/2	I55		55	2	Incandescent, (2) 55W lamp	0.110
I60/1	I60		60	1	Incandescent, (1) 60W lamp	0.060
I60/2	I60		60	2	Incandescent, (2) 60W lamp	0.120
I60/3	I60		60	3	Incandescent, (3) 60W lamp	0.180
I60/4	I60		60	4	Incandescent, (4) 60W lamp	0.240
I60/5	I60		60	5	Incandescent, (5) 60W lamp	0.300
I65/1	I65		65	1	Incandescent, (1) 65W lamp	0.065
I65/1	I65		65	1	Incandescent, (1) 65W lamp	0.065
I65/2	I65		65	2	Incandescent, (2) 65W lamp	0.130
I67/1	I67		67	1	Incandescent, (1) 67W lamp	0.067
I75E/1	I75/ES		67	1	Incandescent, (1) 75W ES lamp	0.067
I75EL/1	I75/ES/LL		67	1	Incandescent, (1) 75W ES/LL lamp	0.067
I67/2	I67		67	2	Incandescent, (2) 67W lamp	0.134
I67/3	I67		67	3	Incandescent, (3) 67W lamp	0.201
I69/1	I69		69	1	Incandescent, (1) 69W lamp	0.069
I72/1	I72		72	1	Incandescent, (1) 72W lamp	0.072
I75/1	I75		75	1	Incandescent, (1) 75W lamp	0.075
I75/2	I75		75	2	Incandescent, (2) 75W lamp	0.150



FIXTURE CODE	LAMP CODE	BALLAST TYPE	NOM. W/LAMP	LAMP/ FIXT	DESCRIPTION	kW/ FIXT
I75/3	I75		75	3	Incandescent, (3) 75W lamp	0.225
I75/4	I75		75	4	Incandescent, (4) 75W lamp	0.300
I80/1	I80		80	1	Incandescent, (1) 80W lamp	0.080
I85/1	I85		85	1	Incandescent, (1) 85W lamp	0.085
I100E/1	I100/ES		90	1	Incandescent, (1) 100W ES lamp	0.090
I100EL/1	I100/ES/LL		90	1	Incandescent, (1) 100W ES/LL lamp	0.090
I90/1	I90		90	1	Incandescent, (1) 90W lamp	0.090
I90/2	I90		90	2	Incandescent, (2) 90W lamp	0.180
I90/3	I90		90	3	Incandescent, (3) 90W lamp	0.270
I93/1	I93		93	1	Incandescent, (1) 93W lamp	0.093
I95/1	I95		95	1	Incandescent, (1) 95W lamp	0.095
I95/2	I95		95	2	Incandescent, (2) 95W lamps	0.190
I100/1	I100		100	1	Incandescent, (1) 100W lamp	0.100
I100/2	I100		100	2	Incandescent, (2) 100W lamp	0.200
I100/3	I100		100	3	Incandescent, (3) 100W lamp	0.300
I100/4	I100		100	4	Incandescent, (4) 100W lamp	0.400
I100/5	I100		100	5	Incandescent, (5) 100W lamp	0.500
I120/1	I120		120	1	Incandescent, (1) 120W lamp	0.120
I120/2	I120		120	2	Incandescent, (2) 120W lamp	0.240
I125/1	I125		125	1	Incandescent, (1) 125W lamp	0.125
I135/1	I135		135	1	Incandescent, (1) 135W lamp	0.135
I150E/1	I150/ES		135	1	Incandescent, (1) 150W ES lamp	0.135
I150EL/1	I150/ES/LL		135	1	Incandescent, (1) 150W ES/LL lamp	0.135
I135/2	I135		135	2	Incandescent, (2) 135W lamp	0.270
I150/1	I150		150	1	Incandescent, (1) 150W lamp	0.150
I150/2	I150		150	2	Incandescent, (2) 150W lamp	0.300
I170/1	I170		170	1	Incandescent, (1) 170W lamp	0.170
I200/1	I200		200	1	Incandescent, (1) 200W lamp	0.200
I200L/1	I200/LL		200	1	Incandescent, (1) 200W LL lamp	0.200
I200/2	I200		200	2	Incandescent, (2) 200W lamp	0.400
I250/1	I250		250	1	Incandescent, (1) 250W lamp	0.250
I300/1	I300		300	1	Incandescent, (1) 300W lamp	0.300
I400/1	I400		400	1	Incandescent, (1) 400W lamp	0.400
I448/1	I448		448	1	Incandescent, (1) 448W lamp	0.448
I500/1	I500		500	1	Incandescent, (1) 500W lamp	0.500

FIXTURE CODE	LAMP CODE	BALLAST TYPE	NOM. W/LAMP	LAMP/ FIXT	DESCRIPTION	kW/ FIXT
I750/1	I750		750	1	Incandescent, (1) 750W lamp	0.750
I1000/1	I1000		1000	1	Incandescent, (1) 1000W lamp	1.000
I1500/1	I1500		1500	1	Incandescent, (1) 1500W lamp	1.500
I2000/1	I2000		2000	1	Incandescent, (1) 2000W lamp	2.000

***Pulse Start Metal Halide Fixtures***

MH175PS/1	MH175PS	Mag-CWA	175	1	Pulse Start Metal Halide, (1) 175W lamp, Pulse Start CWA Ballast	0.208
MH200PS/1	MH200PS	Mag-CWA	200	1	Pulse Start Metal Halide, (1) 200W lamp, Pulse Start CWA Ballast	0.232
MH250PS/1	MH250PS	Mag-CWA	250	1	Pulse Start Metal Halide, (1) 250W lamp, Pulse Start CWA Ballast	0.288
MH320PS/1	MH320PS	Mag-CWA	320	1	Pulse Start Metal Halide, (1) 320W lamp, Pulse Start CWA Ballast	0.365
MH350PS/1	MH350PS	Mag-CWA	350	1	Pulse Start Metal Halide, (1) 350W lamp, Pulse Start CWA Ballast	0.400
MH400PS/1	MH400PS	Mag-CWA	400	1	Pulse Start Metal Halide, (1) 400W lamp, Pulse Start CWA Ballast	0.456
MH450PS/1	MH450PS	Mag-CWA	450	1	Pulse Start Metal Halide, (1) 450W lamp, Pulse Start CWA Ballast	0.506
MH750PS/1	MH750PS	Mag-CWA	750	1	Pulse Start Metal Halide, (1) 750W lamp, Pulse Start CWA Ballast	0.818
MH1000PS/1	MH1000PS	Mag-CWA	1000	1	Pulse Start Metal Halide, (1) 1000W lamp, Pulse Start CWA Ballast	1.080

***Metal Halide Fixtures***

MH32/1	MH32		32	1	Metal Halide, (1) 32W lamp	0.043
MH50/1	MH50		50	1	Metal Halide, (1) 50W lamp	0.072
MH70/1	MH70		70	1	Metal Halide, (1) 70W lamp	0.095
MH100/1	MH100		100	1	Metal Halide, (1) 100W lamp	0.128
MH150/1	MH150		150	1	Metal Halide, (1) 150W lamp	0.190
MH175/1	MH175		175	1	Metal Halide, (1) 175W lamp	0.215
MH250/1	MH250		250	1	Metal Halide, (1) 250W lamp	0.295
MH400/1	MH400		400	1	Metal Halide, (1) 400W lamp	0.458
MH400/2	MH400		400	2	Metal Halide, (2) 400W lamp	0.916
MH750/1	MH750		750	1	Metal Halide, (1) 750W lamp	0.850
MH1000/1	MH1000		1000	1	Metal Halide, (1) 1000W lamp	1.080
MH1500/1	MH1500		1500	1	Metal Halide, (1) 1500W lamp	1.610

***Mercury Vapor Fixtures***

MV40/1	MV40		40	1	Mercury Vapor, (1) 40W lamp	0.050
MV50/1	MV50		50	1	Mercury Vapor, (1) 50W lamp	0.074
MV75/1	MV75		75	1	Mercury Vapor, (1) 75W lamp	0.093
MV100/1	MV100		100	1	Mercury Vapor, (1) 100W lamp	0.125

FIXTURE CODE	LAMP CODE	BALLAST TYPE	NOM. W/LAMP	LAMP/ FIXT	DESCRIPTION	kW/ FIXT
MV175/1	MV175		175	1	Mercury Vapor, (1) 175W lamp	0.205
MV250/1	MV250		250	1	Mercury Vapor, (1) 250W lamp	0.290
MV400/1	MV400		400	1	Mercury Vapor, (1) 400W lamp	0.455
MV400/2	MV400		400	2	Mercury Vapor, (2) 400W lamp	0.910
MV700/1	MV700		700	1	Mercury Vapor, (1) 700W lamp	0.780
MV1000/1	MV1000		1000	1	Mercury Vapor, (1) 1000W lamp	1.075

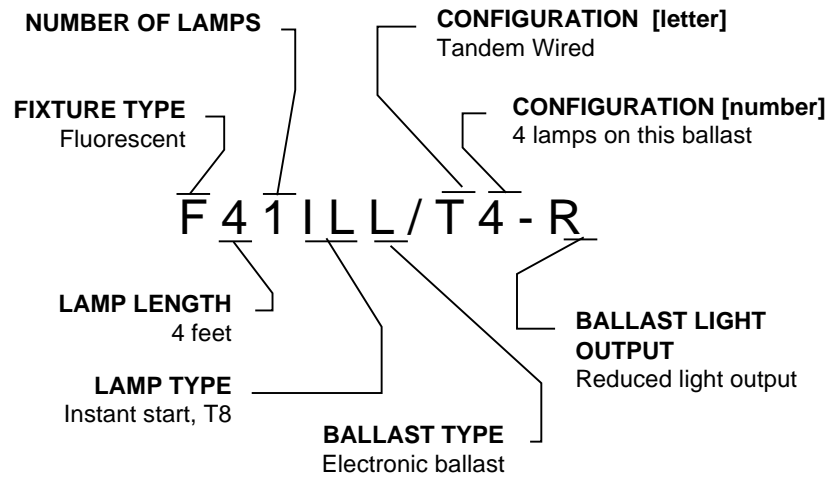
**EXIT Sign Fixtures**

ECF5/1	CFT5W	Mag-STD	5	1	EXIT Compact Fluorescent, (1) 5W lamp	0.009
ECF5/2	CFT5W	Mag-STD	5	2	EXIT Compact Fluorescent, (2) 5W lamp	0.020
ECF7/1	CFT7W	Mag-STD	7	1	EXIT Compact Fluorescent, (1) 7W lamp	0.010
ECF7/2	CFT7W	Mag-STD	7	2	EXIT Compact Fluorescent, (2) 7W lamp	0.021
ECF8/1	F8T5	Mag-STD	8	1	EXIT T5 Fluorescent, (1) 8W lamp	0.012
ECF8/2	F8T5	Mag-STD	8	2	EXIT T5 Fluorescent, (2) 8W lamp	0.024
ECF9/1	CFT9W	Mag-STD	9	1	EXIT Compact Fluorescent, (1) 9W lamp	0.012
ECF9/2	CFT9W	Mag-STD	9	2	EXIT Compact Fluorescent, (2) 9W lamp	0.020
EI10/2	I10		10	2	EXIT Incandescent, (2) 10W lamp	0.020
EI15/1	I15		15	1	EXIT Incandescent, (1) 15W lamp	0.015
EI15/2	I15		15	2	EXIT Incandescent, (2) 15W lamp	0.030
EI20/1	I20		20	1	EXIT Incandescent, (1) 20W lamp	0.020
EI20/2	I20		20	2	EXIT Incandescent, (2) 20W lamp	0.040
EI25/1	I25		25	1	EXIT Incandescent, (1) 25W lamp	0.025
EI25/2	I25		25	2	EXIT Incandescent, (2) 25W lamp	0.050
EI34/1	I34		34	1	EXIT Incandescent, (1) 34W lamp	0.034
EI34/2	I34		34	2	EXIT Incandescent, (2) 34W lamp	0.068
EI40/1	I40		40	1	EXIT Incandescent, (1) 40W lamp	0.040
EI40/2	I40		40	2	EXIT Incandescent, (2) 40W lamp	0.080
EI5/1	I5		5	1	EXIT Incandescent, (1) 5W lamp	0.005
EI5/2	I5		5	2	EXIT Incandescent, (2) 5W lamp	0.010
EI50/2	I50		50	2	EXIT Incandescent, (2) 50W lamp	0.100
EI7.5/1	I7.5		7.5	1	EXIT Tungsten, (1) 7.5 W lamp	0.008
EI7.5/2	I7.5		7.5	2	EXIT Tungsten, (2) 7.5 W lamp	0.015
ELED2/1	LED2W		2	1	EXIT Light Emmitting Diode, (1) 2W lamp, Single Sided	0.006
ELED2/2	LED2W		2	2	EXIT Light Emmitting Diode, (2) 2W lamp, Dual Sided	0.009

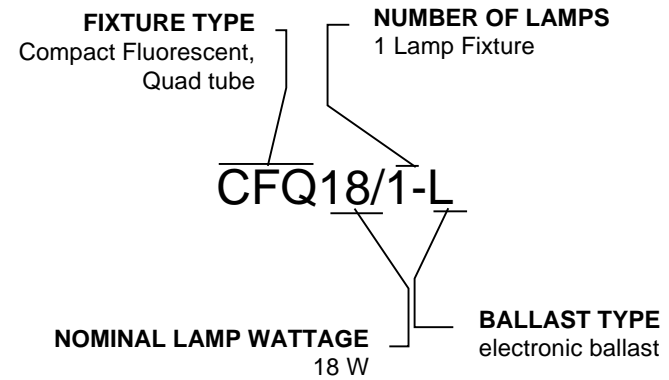
# Fixture Code Legend

Revised: 6/24/2002

## Sample Linear Fluorescent Fixture Code:



## Sample of Other Fixture Code:



### Fixture Type

<b>CF</b>	Compact Fluorescent
<b>CFD</b>	Compact Fluorescent, double-D shape
<b>CFM</b>	Compact Fluorescent, Multi tube
<b>CFT</b>	Compact Fluorescent, Twin tube (including "Biaxial" fixtures)
<b>CFQ</b>	Compact Fluorescent, Quad tube
<b>ECF</b>	Exit sign, Compact Fluorescent
<b>EI</b>	Exit sign, Incandescent
<b>ELED</b>	Exit sign, LED
<b>F</b>	Fluorescent, linear
<b>FC</b>	Fluorescent, Circline
<b>FU</b>	Fluorescent, U-tube
<b>H</b>	Halogen Incandescent
<b>HPS</b>	High Pressure Sodium
<b>I</b>	Incandescent
<b>MH</b>	Metal Halide
<b>MV</b>	Mercury Vapor

### Lamp Type

*for fluorescent fixtures*

<b>A</b>	"F25T12" type—25 watt, 4 ft, T12 lamp
<b>B</b>	T4, Instant Start
<b>IL</b>	T8, Instant start
<b>L</b>	T8, rapid start
<b>E</b>	T12, Energy efficient
<b>EH</b>	T12, Energy efficient, High output
<b>EV</b>	T12, Energy efficient, Very high output
<b>P</b>	T5, Instant Start
<b>PH</b>	T5HO, Instant Start
<b>S</b>	T12, Standard wattage
<b>SH</b>	T12, Standard, High output lamp
<b>SV</b>	T12, Standard, Very high output lamp
<b>T</b>	T10 lamp
<b>WL</b>	T8, Instant start, Energy saver

### Ballast Type

*for fluorescent fixtures*

<b>L</b>	electronic
<b>S</b>	Standard magnetic
<b>E</b>	Energy efficient magnetic

### Configuration [letter]

<b>T</b>	Tandem wired fixture
<b>D</b>	Delamped fixture, i.e. some lamps Permanently removed but ballasts remain

### Configuration [number]

*for de-lamped fixtures*

Number signifies the total number of ballasts in the fixture: e.g. An "F42EE/D2" is an "F44EE" with two lamps removed so that there is one extraneous ballast.

*for tandem wired ballasts*

Number signifies the total number of lamps being run by the ballast: e.g. An "F42LL/T4" would indicate that a four-lamp ballast is wired to run two two-lamp fixtures.

*with no preceding letter*

Number indicates the number of ballasts in an ambiguous multiple ballast fixture: e.g. An "F43ILL/2" indicates a three-lamp fixture with two ballasts (as is often the case if there is A/B switching).

### Ballast Light Output

<b>R</b>	Reduced light output
<b>H</b>	High light output
<b>V</b>	Very high light output

### **Other Abbreviations**

BF = Ballast Factor

RLO = Reduced Light Output Ballast (<.85 Ballast Factor)

NLO = Normal Light Output Ballast (.85 to .95 Ballast Factor)

HLO = High Light Output Ballast (.96 to 1.1 Ballast Factor)

VHLO = Very High Light Output Ballast (> 1.1 Ballast Factor)

Mag-ES = Magnetic, Energy Saving Ballast

Elec-Prem = Premium Electronic Ballast. Characterized by reduced input wattage compared to standard model with no reduction in light output. Also known as 3rd Generation.

Elec-Prem-R = Same as Elec-Prem but with RLO Ballast Factor.

CRI = Color Rendering Index

ISR = Instant Start Rating at 3 Hours per Start

RSR = Rapid Start Rating at 3 Hours per Start

F32T8-STD = 70 to 84 CRI, 20,000 Hour RSR Lamp

F32T8-PREM = 85 or Greater CRI, 24,000 Hour RSR Lamp

F32T8-PREM-ES = Energy Saving T8 Lamp, 30 Watt Nominal, 82 or Greater CRI, 15,000 Hour ISR Lamp

PS=Pulse Start Metal Halide

kW = kiloWatts

W = Watts

(G1) = 1st Generation T8 Lighting, as Defined in R.01.08.028, ALJ Thomas Draft Decision of 2/19/02

(G2) = 2nd Generation T8 Lighting, as Defined in R.01.08.028, ALJ Thomas Draft Decision of 2/19/02

(G3) = 3rd Generation T8 Lighting, as Defined in R.01.08.028, ALJ Thomas Draft Decision of 2/19/02

### **Note:**

- 1) The column labeled kW/Fixt in the data table includes ballast loads.
- 2) The kW/Fixt values represent an average value, rounded to the nearest whole watt.
- 3) The nominal watts per lamp are for reference only.

# Appendix B: Sample Lighting Table

## 2013-2014 CALCULATED LIGHTING EQUIPMENT SURVEY TABLE

Measure/Site #1 (For multiple sites, scroll down to enter up to 5 different sites)

\* Fixture Codes and associated kW/Fixture can be automatically entered by doubling clicking fixtures in the wattages table

LT

For Administrator Use Only

Project # \_\_\_\_\_

Administrator Receipt Date: \_\_\_\_\_

Project Name: \_\_\_\_\_

Project Sponsor: \_\_\_\_\_

Project Site Name: \_\_\_\_\_

GENERAL INFORMATION			Existing Lighting Equipment						Proposed Lighting Equipment							SAVINGS				
Line Item	Area Description/Location	Usage Group	Exist. Fixt. Count	Exist. Fixture Code	Exist. kW / Fixt.	Exist. Oper. Hours	Exist. kW / Space	Exist. kWh	Prop. Fixt. Count	Make & Model of Prop. Fixt.	Prop. kW / Fixt.	Prop. Oper. Hours	Prop. kW / Space	Prop. kWh	Prop. Control Type	Prop. Occ. Sens. Count	Occ. Sens. Type	kW Saved	Efficiency kWh Saved	Controls kWh Saved
1															None					NA
2															None					NA
3															None					NA
4															None					NA
5															None					NA
6															None					NA
7															None					NA
8															None					NA
9															None					NA
10															None					NA
11															None					NA
12															None					NA
13															None					NA
14															None					NA
15															None					NA
16															None					NA
17															None					NA
18															None					NA
19															None					NA
20															None					NA

Page 1

\* Fixture Codes and associated kW/Fixture can be automatically entered by doubling clicking fixtures in the wattages table

### DESCRIPTION OF TABLE INPUTS

**Area Description/Location** - Description of the physical location in which lighting equipment is found  
**Usage Group** - A user-defined grouping of lighting fixtures that follow the same usage pattern. (i.e. hours of operation)  
**Area Description** - An indication of the general use of the space where the lighting is located (e.g. warehouse, office, hall)  
**Exist. Fixt. Count** - Number of existing fixtures described in line item pre-retrofit  
**Exist. Fixture Code** - The SPC Fixture Code for the existing equipment (Table of Standard Fixture Wattages)  
**Exist. kW/Fixture** - Allowable energy value for the existing equipment (Table of Standard Fixture Wattages)  
**Exist. kW/Space** - Total demand energy of the line item pre-retrofit (Exist. kW/Fixt \* Exist. Count)  
**Exist. Oper. Hours** - Annual operating hours of the fixtures prior to installation of the retrofit lighting equipment  
**Exist. kWh** - Total energy usage of the line item pre-retrofit (Exist. kW/Space \* Exist. Oper. Hours)  
**Prop. Fixt. Count** - Number of proposed fixtures described in line item post-retrofit  
**Prop. Fixture Code** - The SPC Fixture Code for the proposed equipment (Table of Standard Fixture Wattages)  
**Prop. kW/Fixture** - Allowable energy value for the proposed equipment (Table of Standard Fixture Wattages)

**Prop. kW/Space** - Total demand energy of the line item post-retrofit (Prop. kW/Fixt \* Prop. Count)  
**Prop. Oper. Hours** - Annual operating hours of the fixtures after installation of the retrofit lighting  
**Prop. kWh** - Total energy usage of the line item post-retrofit (Prop. kW/Space \* Prop. Oper. Hours)  
**Prop. Control Type** - Post-installation control device for the line item (None, Occ. Sens., EMS, Tim)  
**Prop. Occ. Sens. Count** - Number of proposed occupancy sensors described in line item post-retrofit  
**Occ. Sens. Type** - Indicate the occupancy sensor type (Wallbox, Wall/Ceiling, or High Bay)  
**kW Saved** - Demand savings for this line item (Exist. kW/Space - Prop. kW/Space)  
**Efficiency kWh Saved** - Annual energy saved by the lighting efficiency retrofit (kW Saved \* Exist. Oper. Hours)  
**Controls kWh Saved** - Annual energy saved by the lighting controls retrofit [(Exist. Oper. Hours - Prop. Oper. Hours) \* Prop. kW/Space]